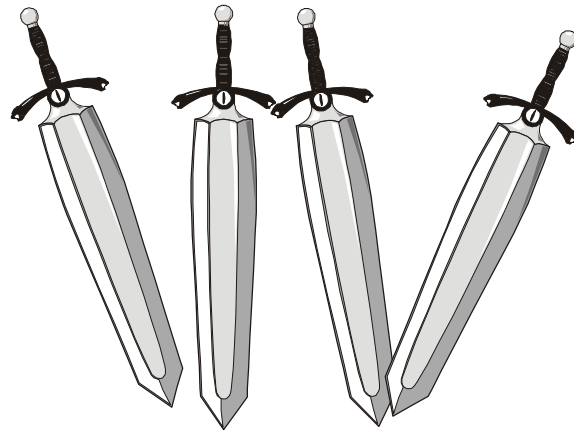


GAUNTLET DARK LEGACY

CHAPTER

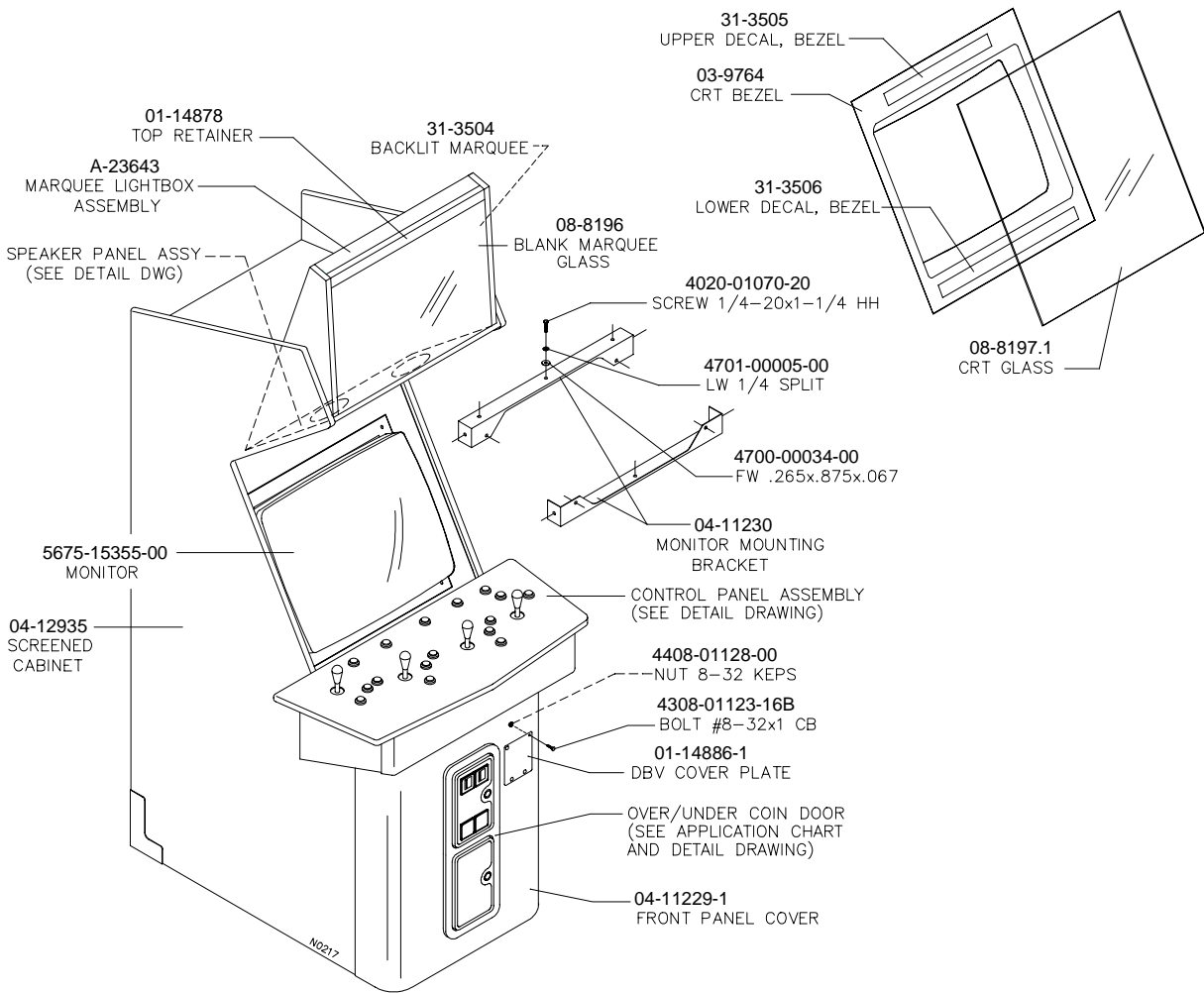


Parts



NOTICE: Information in this manual may change without notice. Midway Games West Inc. reserves the right to make improvements in equipment function, design, or components as progress in engineering or manufacturing methods may warrant.

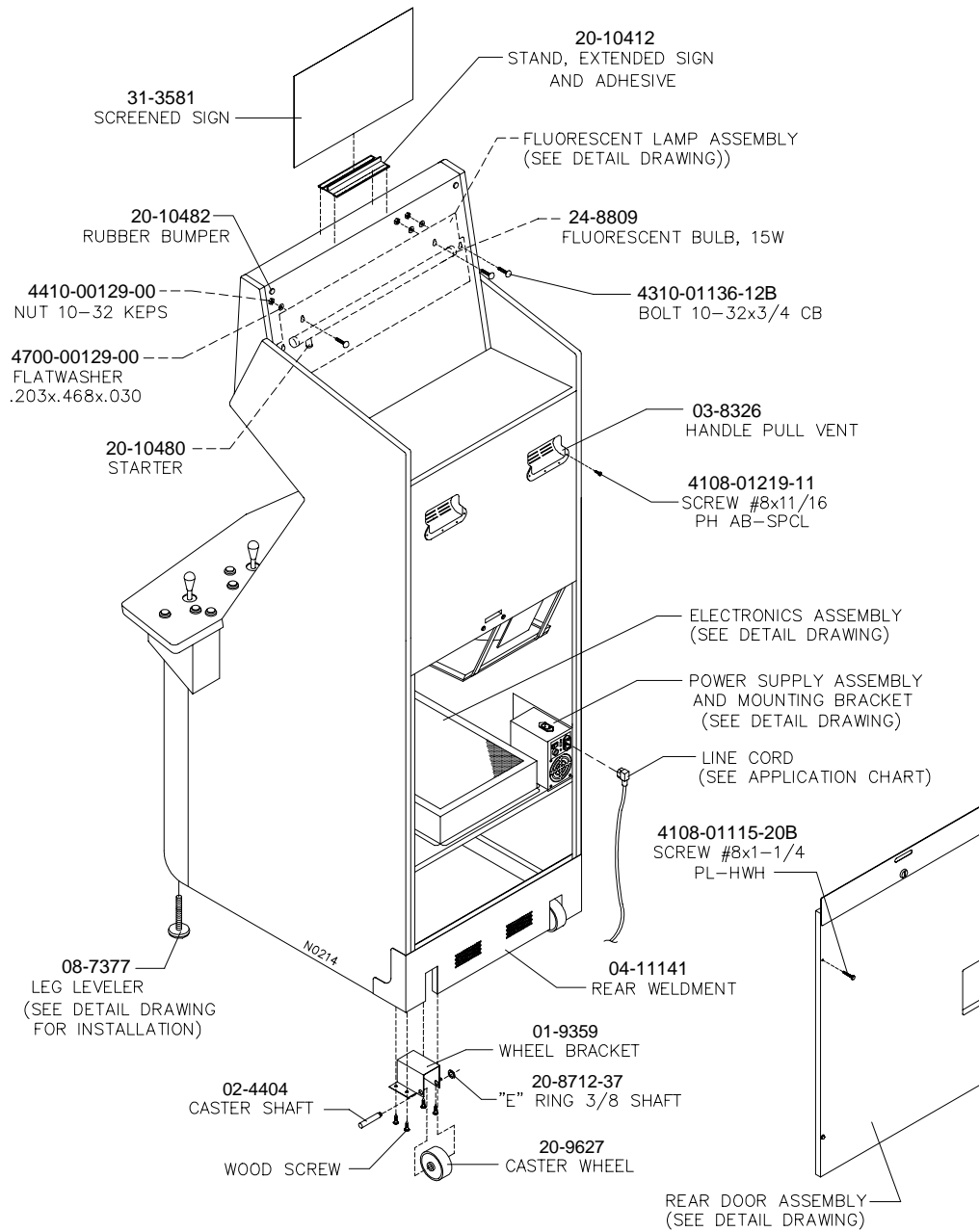
CABINET FRONT VIEW (30046)



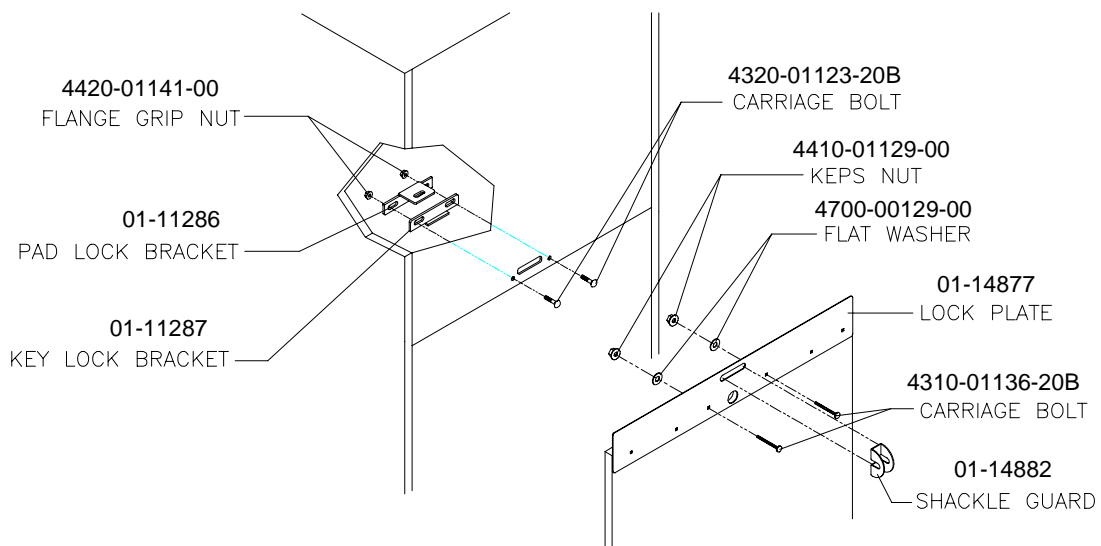
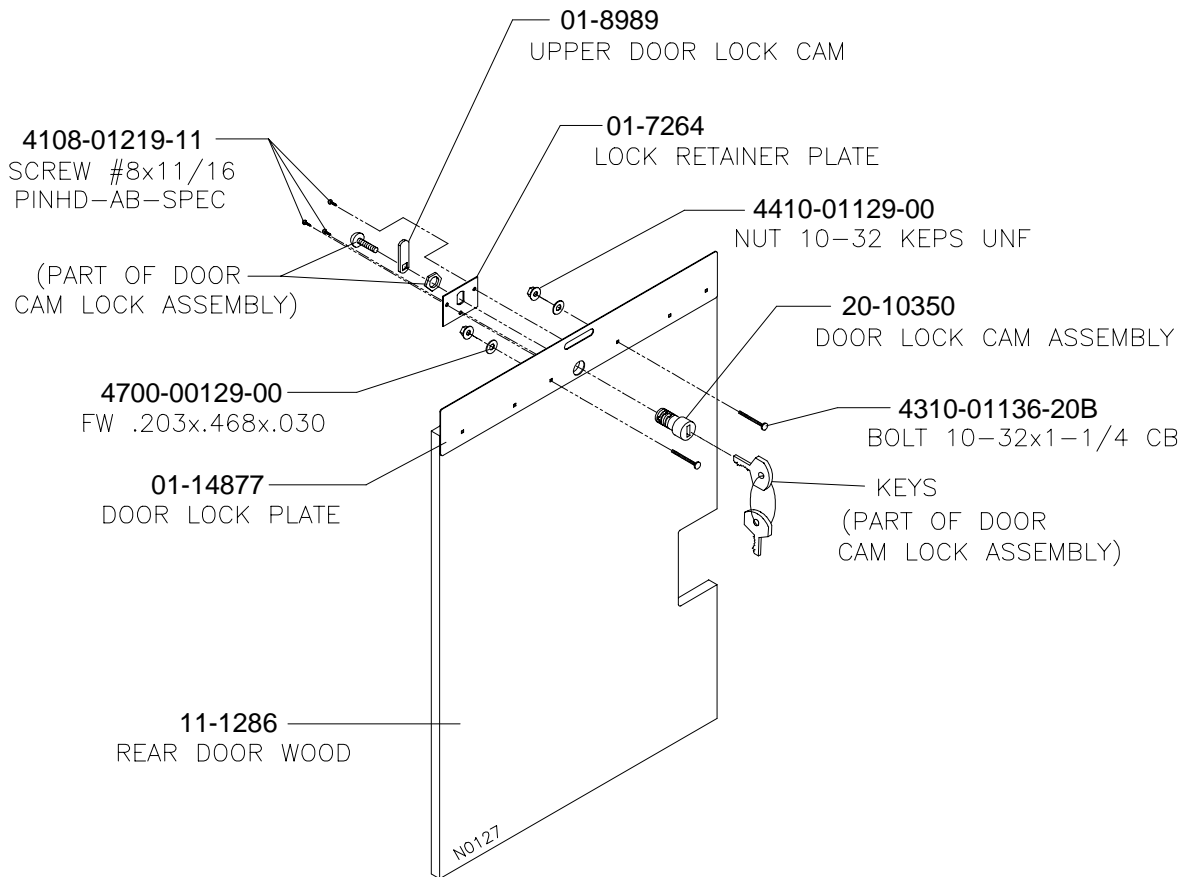
HARDWARE NOT SHOWN:

4010-01007-08	MS 10-32x1/2 P-PH
4020-01100-32	TR 1/4-20x2 BH CS
4106-01001-10	SMS #6x5/8 P-PH
4106-01115-20	SMS #6x1-1/4 PL-HWH-A
4420-01141-00	NUT 1/4-20 FLANGRIP
4420-01119-00	NUT 1/4-20 ESN/NE
4320-01123-20B	BOLT 1/4-20x1-1/4 CB
4320-01123-28	BOLT 1/4-20x1-3/4 CB
4320-01123-40B	BOLT 1/4-20x2-1/2 CB
4700-00032-00B	FW .265x.625x.067
4700-00139-00	FW .265x1.250x.059

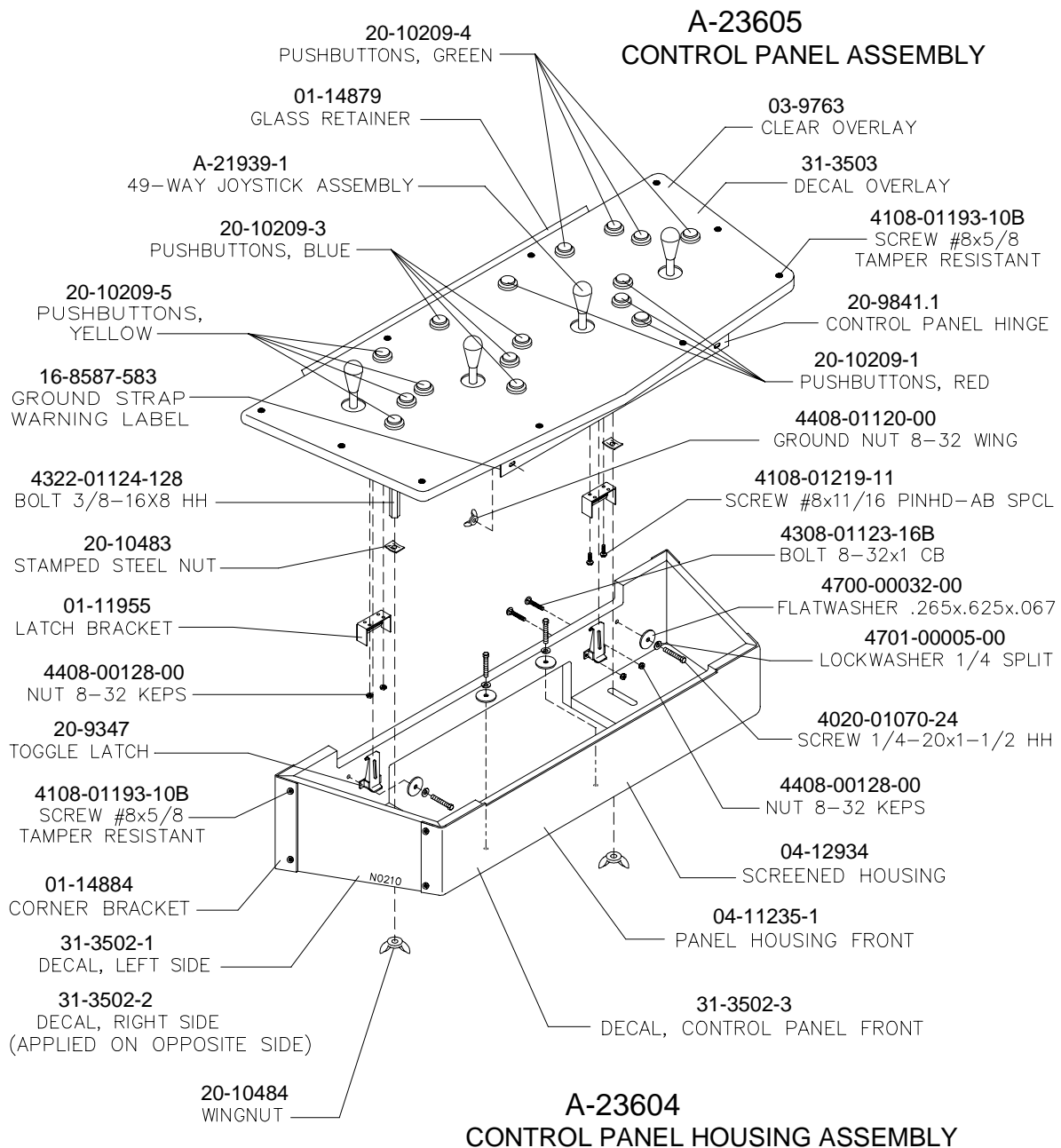
CABINET REAR VIEW (30046)



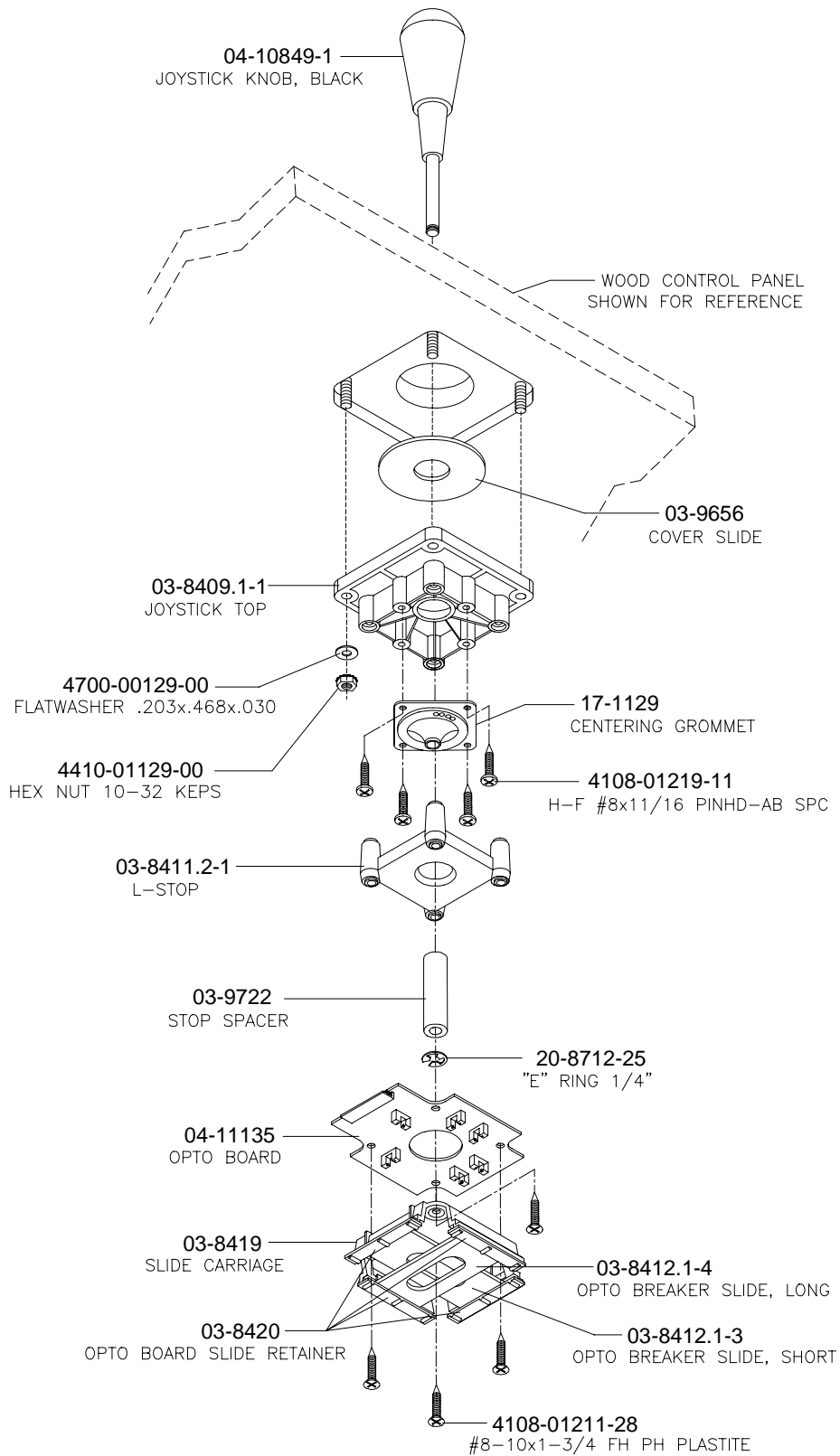
REAR DOOR LOCK ASSEMBLY (A-22403)

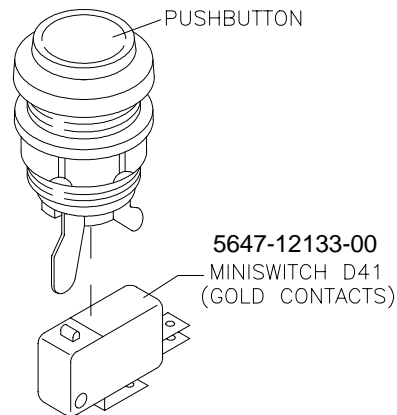


CONTROL PANEL AND HOUSING ASSEMBLIES (A-23603)

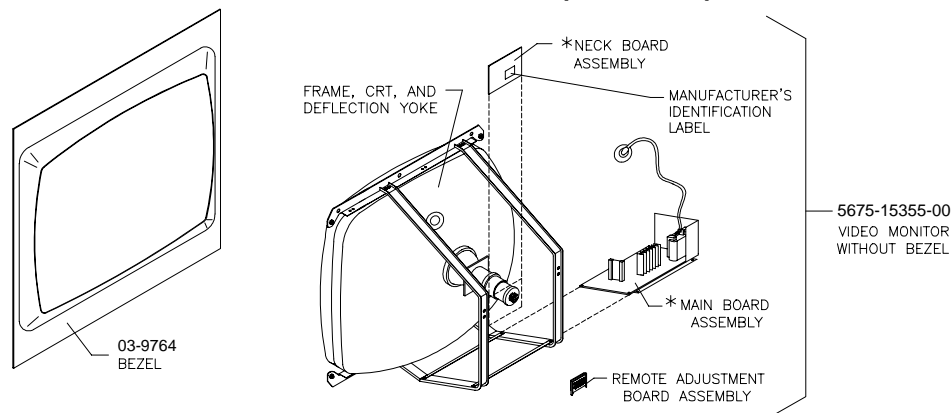


49-WAY JOYSTICK ASSEMBLY (A-21939-1)



PUSHBUTTON ASSEMBLY

Part No.	Description	Qty
20-10209-1	pushbutton long shaft, red	4
20-10209-3	pushbutton long shaft, blue	4
20-10209-4	pushbutton long shaft, green	4
20-10209-5	pushbutton long shaft, yellow	4

VIDEO ASSEMBLY (A-22923)

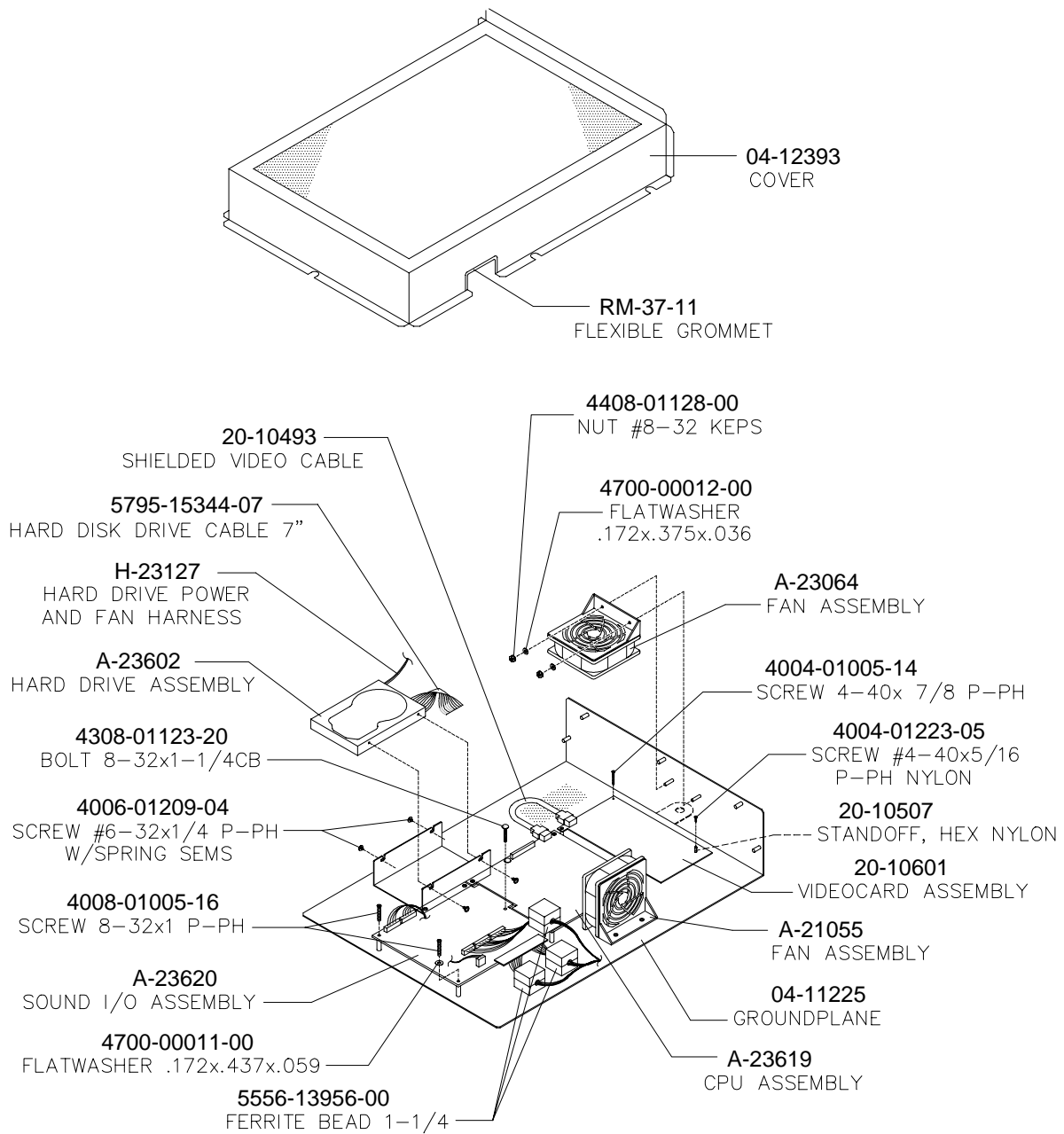
*THESE PARTS ARE AVAILABLE FOR THE RCA BRAND CRT ONLY AS A SET UNDER PART NO. 04-11032.

When ordering video components, identify monitor and CRT manufacturers. Manufacturer is marked on the neck or main board assemblies. CRT brand is typically marked on the tube near the deflection yoke.

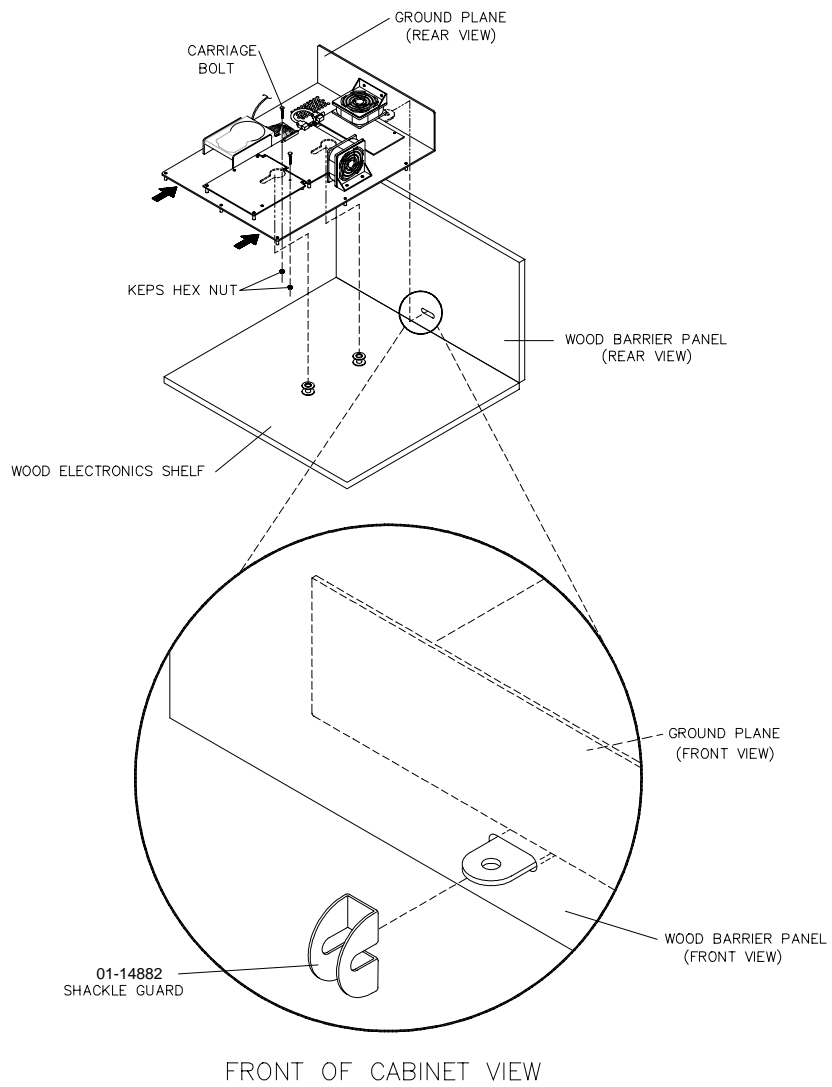
CRT, frame, deflection yoke, and remote adjustment board assembly are unavailable separately. These components are specific to monitors and cannot be interchanged. Monitors use CRTs with slightly different shapes. Each bezel fits only one shape correctly. Each monitor board set consists of a neck board assembly and a main board assembly as a matched set. CRTs use different glorification yokes. Each board set matches only one CRT and yoke correctly.

Each video assembly consists of a complete monitor and matched bezel. Complete video assemblies are electrically and mechanically interchangeable in a cabinet.

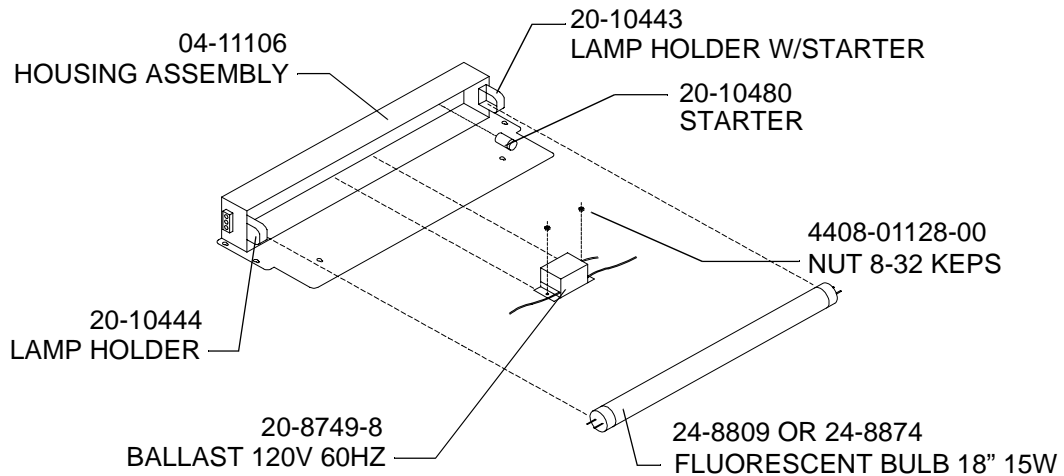
ELECTRONICS ASSEMBLY (A-23601)



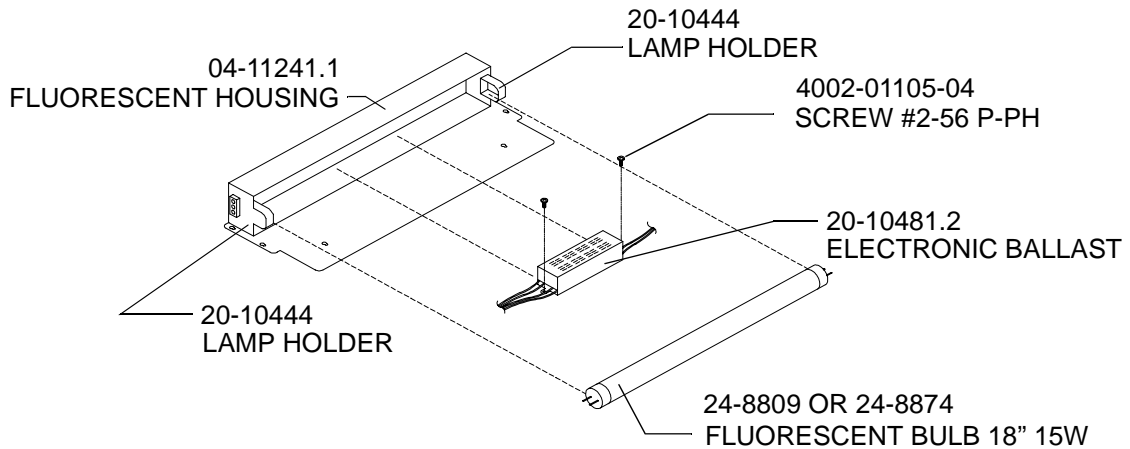
ELECTRONICS SECURITY



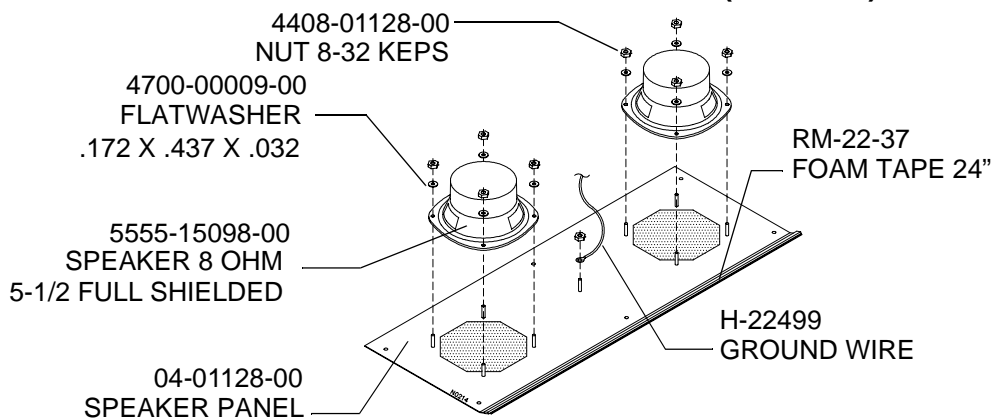
FLUORESCENT LAMP ASSEMBLY (A-22365)



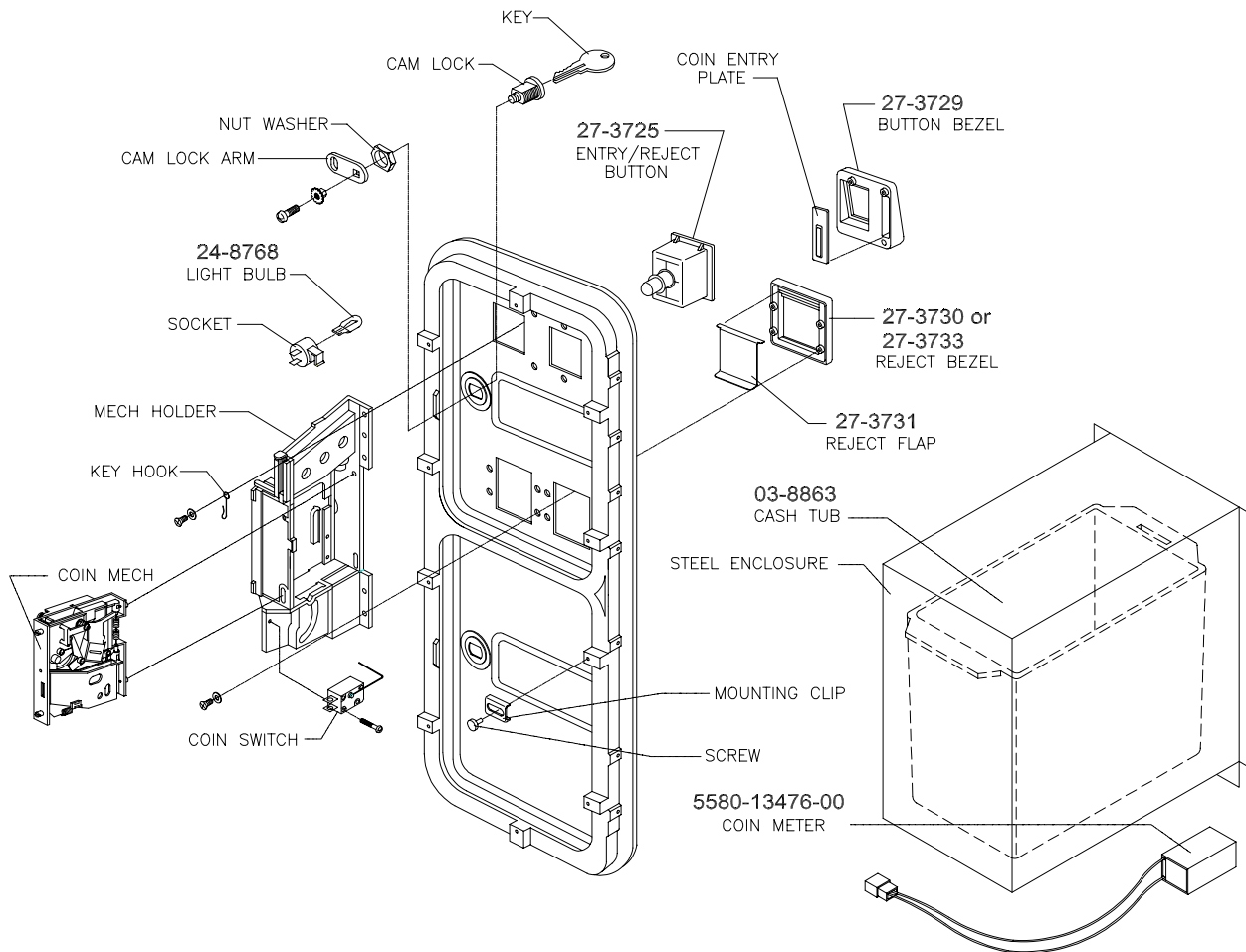
FLUORESCENT LAMP ASSEMBLY (A-22506)



SPEAKER PANEL ASSEMBLY (A-22524)



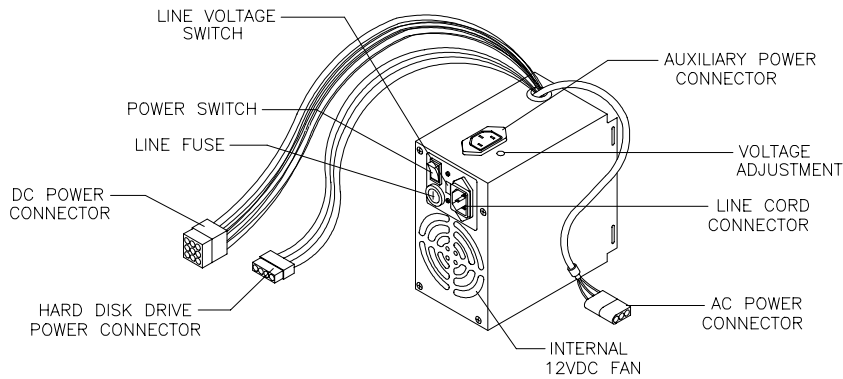
COIN DOOR ASSEMBLY



COIN DOOR AND LINE CORD CHART

Country	Coin Door	Line Cord
US	09-72000-1	5850-15521-01
Germany	09-96010.1	5850-15521-02
France	09-96010.1	5850-15521-02
UK	09-96010.1	5850-15521-03
Italy	09-96010.1	5850-15521-00
Japan	09-72000-15	5850-15521-06
Spain	09-96010.1	5850-15521-02

POWER SUPPLY ASSEMBLY (20-10400.1)



A.C. AUXILIARY POWER CONNECTOR

PINS	FUNCTION	COLOR
1	LINE	BLACK
2	GROUND	GREEN
3	NEUTRAL	WHITE

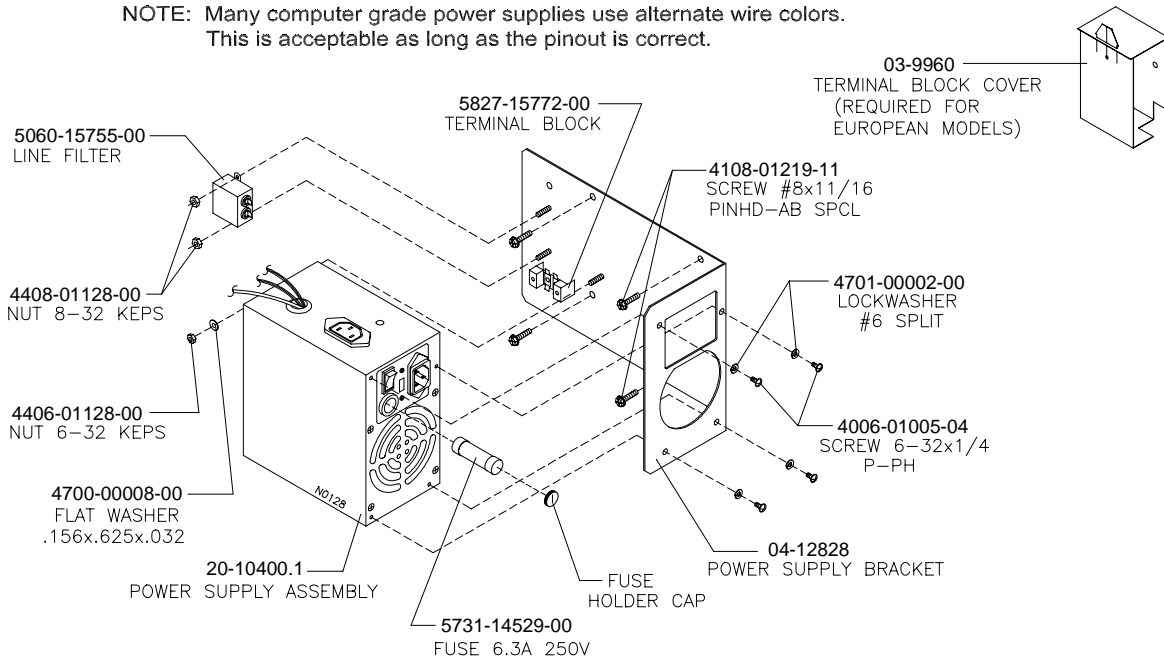
D.C. MAIN POWER CONNECTOR

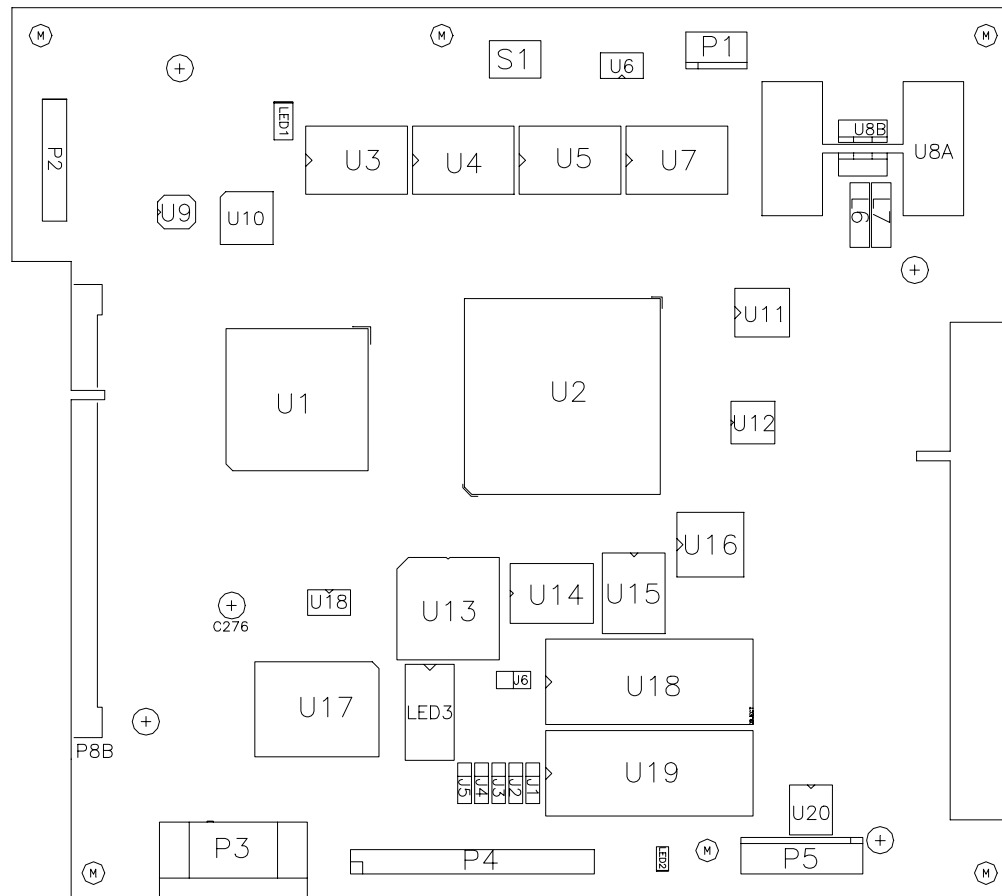
PINS	FUNCTION	COLOR
1,2,3	+5 VDC	RED
4,5,6	RETURN	BLACK
7	-5 VDC	BLUE
8	+12 VDC	YELLOW
9	-12 VDC	WHITE

HARD DISK DRIVE POWER CONNECTOR

PINS	FUNCTION	COLOR
1	+5 VDC	RED
2,3	RETURN	BLACK
4	+12 VDC	YELLOW

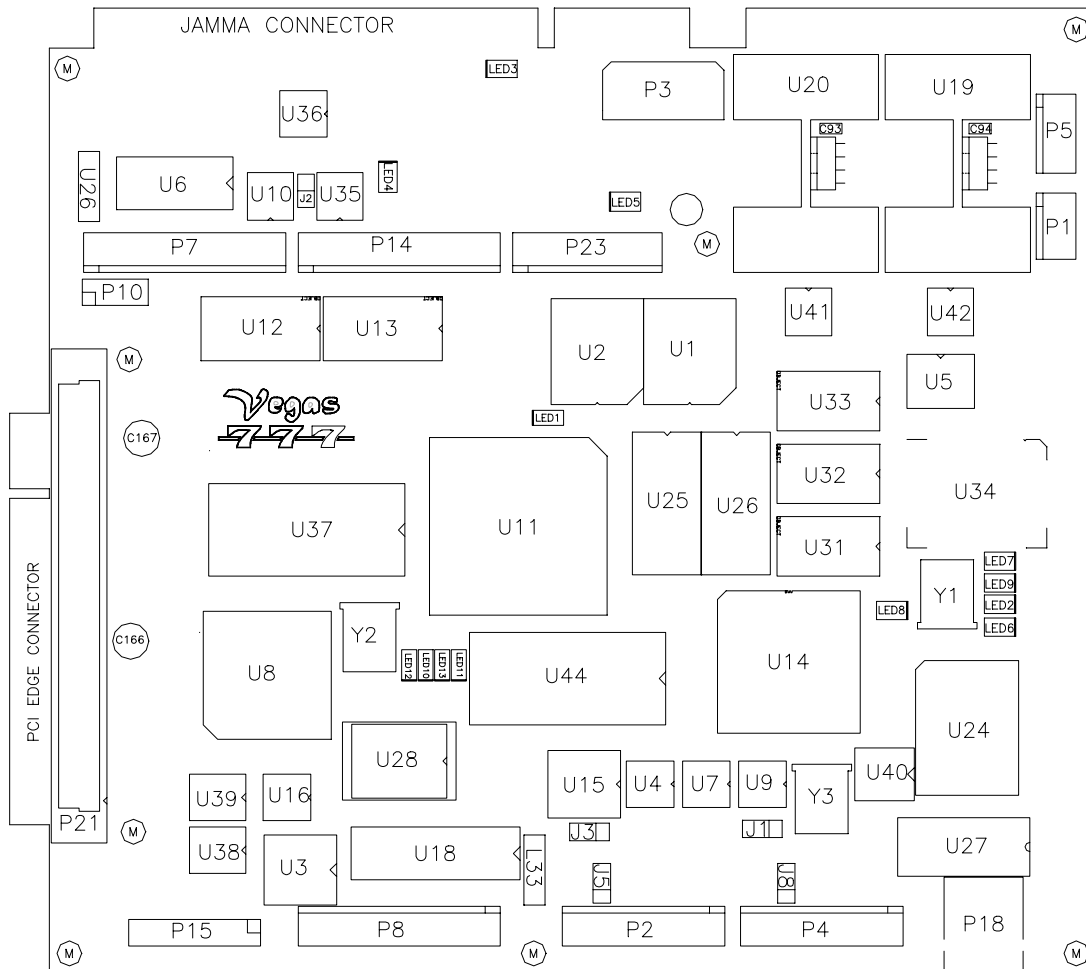
NOTE: Many computer grade power supplies use alternate wire colors. This is acceptable as long as the pinout is correct.



CPU BOARD ASSEMBLY (A-23619)**FIELD REPLACABLE PARTS**

Designation	Part No.	Function	Description
U8A	5460-15671-00	+3V Regulator	Voltage Regulator 3.3BT
U11	A-22545	Game Setup Memory	EPROM 93C46
U13	A-22560	Game Logic Circuit	PAL Assembly
U18	A-5343-30046-1	CPU Boot ROM	EPROM Assembly

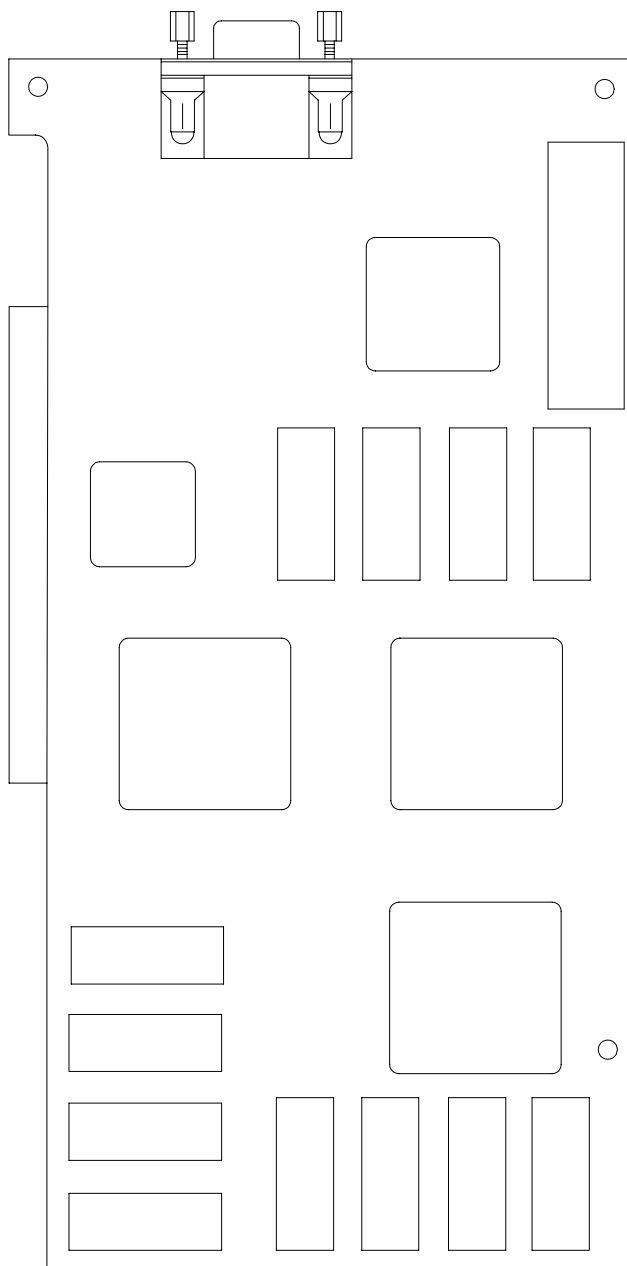
SOUND I/O BOARD ASSEMBLY (A-23620)



FIELD REPLACABLE PARTS

Designation	Part No.	Function	Description
U1, U2	5344-15764-00	FIFO Memory Circuit	AM 7201-35JC
U19, U20	5370-14146-00	Audio Amplifier	TDA 7204A
U28	5880-15774-00	Memory Backup	Lithium Battery
U37	A-23622	Security	PIC Assembly
U44	A-5343-30022-3	Audio Instructions	EPROM Assembly

VIDEO CARD ASSEMBLY (20-10601)



Other Parts Necessary

Protection

Fuse, 1A, 250V, Fast Blow 5730-15278-00

Cables

Control Module Harness Cable H-22498

Main Harness (JAMMA) Cable H-22495

AC Harness Cable H-23609

AC Line Harness H-22399

RFI Jumper H-22393

DBV Harness H-23610

Light and Speaker Harness Cable H-22497

Fluorescent Light Cable H-21492

Hard Disk Drive Ribbon Cable 5795-15344-07

Hard Drive Power and Fan Harness H-23127

Ground Wire H-22499

Ground Wire - Braided H-21672

Fluorescent Lamp Cable H-22384

Fluorescent Light Adapter H-23624

Documents

Game Manual 16-30046-101

Product Safety Manual 16-10341

Game Registration Card 16-10650

Caution Sheet 16-10077

Other Items:

T-27 Long Arm Wrench 20-10140

T-20 Long Arm Wrench 20-9620

Epilepsy Label 16-9922.1

Light Bulb #555 24-8768