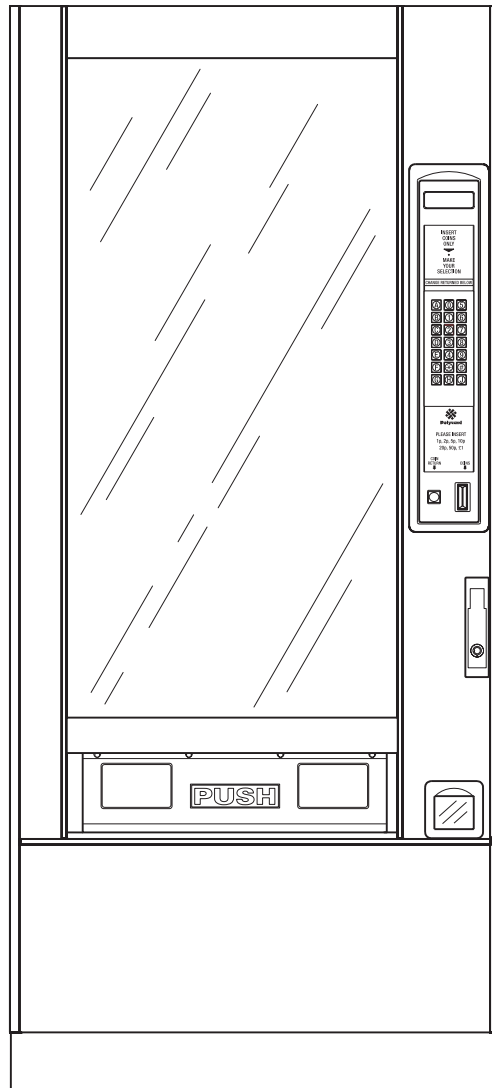


Snack Vendor

Model 172-173



PARTS MANUAL

POLYVEND, LTD.
STATION LANE
WHITNEY
OXON, ENGLAND OX868U

TEL: WITNEY (01993) 774601
FAX: WITNEY (01993) 771830

Copyright © 6-98
Crane Co

1720000

List of Figures

| Figure | Title | Page |
|--------|--|------|
| 1. | SnackVendor Merchandiser | 1 |
| 2. | Outer Door Assembly | 2 |
| 3. | Door Trim and Panels | 4 |
| 4. | Door Trim Detail | 6 |
| 5. | Door Lock and Handle Assembly..... | 8 |
| 6. | Door Miscellaneous | 10 |
| 7. | Door Glass | 12 |
| 8. | Upper and Lower Door Hinge Assemblies..... | 14 |
| 9. | Door Check | 16 |
| 10. | Fluorescent Light | 18 |
| 11. | Delivery Pan Assembly (Part 1 of 2) | 20 |
| 12. | Delivery Pan Assembly (Part 2 of 2) | 22 |
| 13. | Gum and Mint Unit (Part 1 of 2) | 24 |
| 14. | Gum and Mint Unit (Part 2 of 2) | 26 |
| 15. | Cabinet - Loose Parts | 30 |
| 16. | Cabinet Details..... | 32 |
| 17. | Candy Tray Assembly | 34 |
| 18. | Snack Tray Assembly | 36 |
| 20. | Leg, Leveler, and Leg and Hinge Assemblies | 40 |
| 21. | Monetary Panel Assembly (Part 1 of 2)..... | 42 |
| 22. | Monetary Panel Assembly (Part 2 of 2)..... | 44 |
| 23. | Face Plate Assembly | 46 |
| 24. | Controller Interface PCB and Power Panel Housing | 48 |
| 25. | Power Panel | 50 |
| 26. | Deflector Asemblies | 52 |
| 27. | Cabinet Back Miscellaneous..... | 54 |
| 28. | Accessories (Base Plate Assembly) | 56 |
| 29. | Accessories (Door Lock Guard) | 57 |
| 30. | Accessories (Money Box Lock) | 58 |
| 31. | Accessories (Delivery Pan Pad)..... | 59 |
| 32. | Accessories (Wire Block Kit)..... | 60 |
| 33. | Accessories (Data Printer Interface)..... | 62 |
| 34. | Accessories (Tray Extension Harness) | 63 |
| 35. | Accessories (DEX Printer Interface Harness)..... | 63 |
| 36. | Wiring Harnesses | 64 |

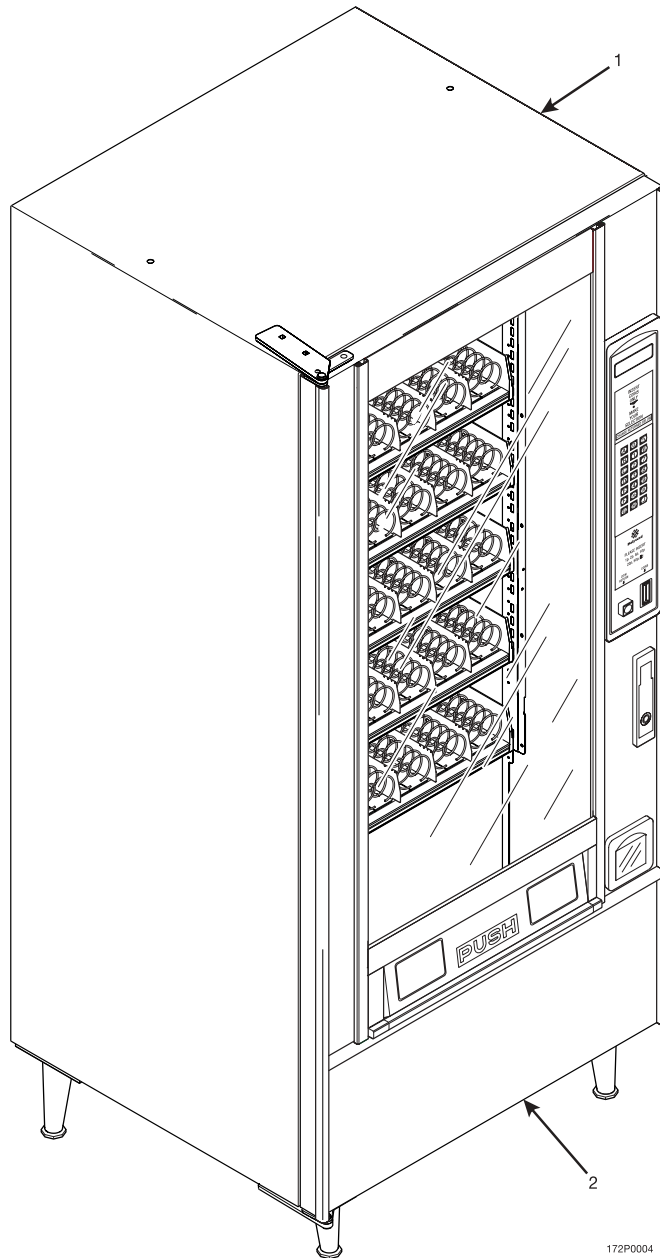
List of Tables

| Table | Title | Page |
|-------|---|------|
| 1. | SnackVendor Merchandiser | 1 |
| 2. | Outer Door Assembly | 3 |
| 3. | Door Trim and Panels | 5 |
| 4. | Door Trim Detail | 7 |
| 5. | Door Lock and Handle Assembly | 9 |
| 6. | Door Miscellaneous | 11 |
| 7. | Door Glass | 13 |
| 8. | Upper and Lower Door Hinge Assemblies | 15 |
| 9. | Door Check | 17 |
| 10. | Fluorescent Light | 19 |
| 11. | Delivery Pan Assembly (Part 1 of 2) | 21 |
| 12. | Delivery Pan Assembly (Part 2 of 2) | 23 |
| 13. | Gum and Mint Unit (Part 1 of 2) | 25 |
| 14. | Gum and Mint Unit (Part 2 of 2) | 27 |
| 15. | Cabinet - Loose Parts | 31 |
| 16. | Cabinet Details..... | 33 |
| 17. | Candy Tray Assembly | 35 |
| 18. | Snack Tray Assembly | 37 |
| 19. | Spiral Options | 38 |
| 20. | Leg, Leveler, and Leg and Hinge Assemblies | 41 |
| 21. | Monetary Panel Assembly (Part 1 of 2)..... | 43 |
| 22. | Monetary Panel Assembly (Part 2 of 2)..... | 45 |
| 23. | Face Plate Assembly | 47 |
| 24. | Controller Interface PCB and Power Panel Housing..... | 49 |
| 25. | Power Panel | 51 |
| 26. | Deflector Asemblies | 53 |
| 27. | Cabinet Back Miscellaneous..... | 55 |
| 28. | Accessories (Base Plate Assembly)..... | 56 |
| 29. | Accessories (Door Lock Guard) | 57 |
| 30. | Accessories (Money Box Lock) | 58 |
| 31. | Accessories (Delivery Pan Pad)..... | 59 |
| 32. | Accessories (Wire Block Kit)..... | 61 |
| 33. | Accessories (Data Printer Interface)..... | 62 |

SnackVendor Model 172 - 173 Parts Manual

TABLE 1. SNACKVENDOR MERCHANDISER

| INDEX | PART NUMBER | DESCRIPTION | QTY |
|-------|-------------|---|-----|
| 1 | 4521030 | CABINET ASSEMBLY - NU WHITE (172) | 1 |
| | 4531022 | CABINET ASSEMBLY - NU WHITE (173) | |
| 2 | 1592000 | DOOR ASSEMBLY - COMMON (172) | 1 |
| | 1602020 | DOOR ASSEMBLY - COMMON - STANDARD (173) | |



172P0004

Figure 1. SnackVendor Merchandiser

Snack Vendor Model 172 - 173 Parts Manual

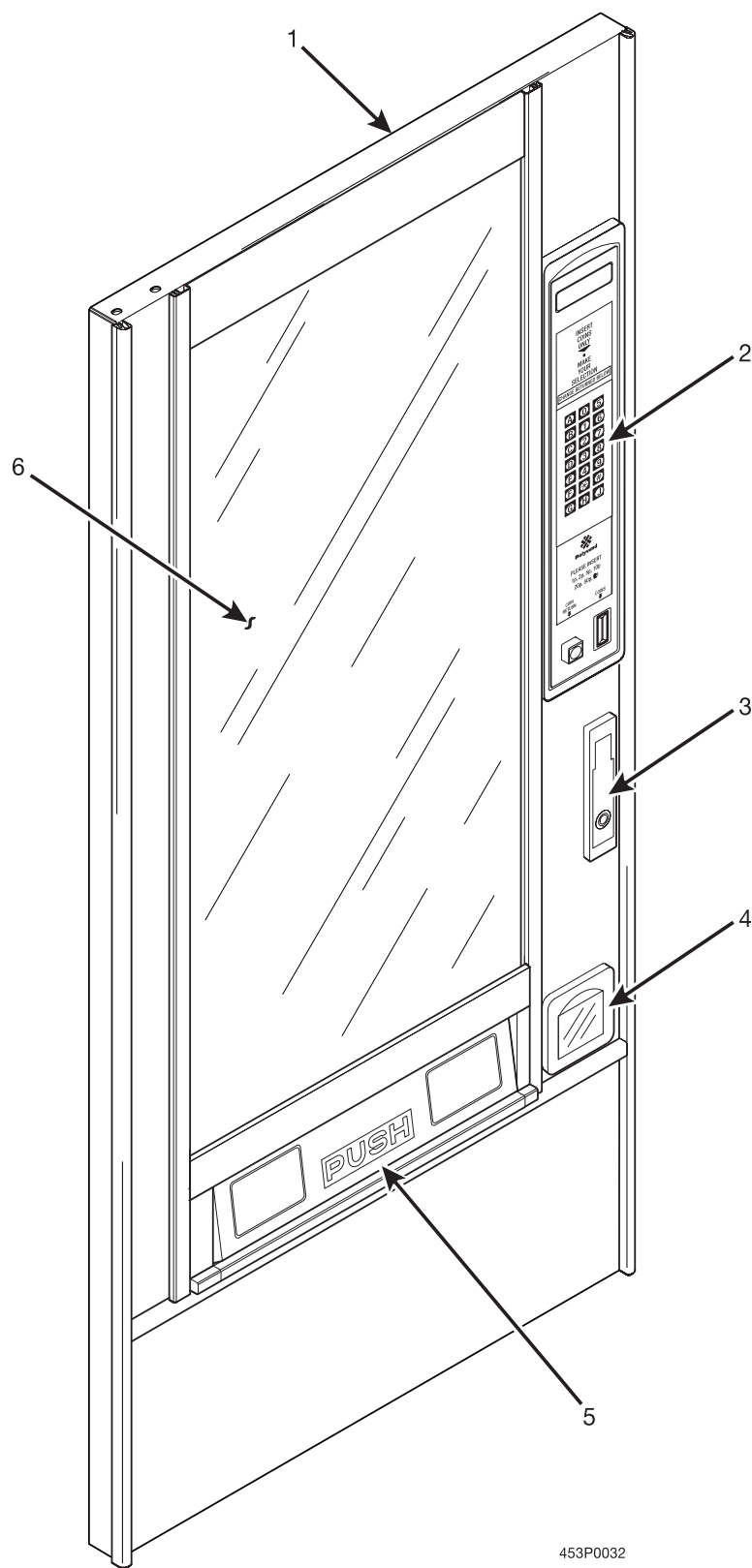


Figure 2. Outer Door Assembly

SnackVendor Model 172 - 173 Parts Manual

TABLE 2. OUTER DOOR ASSEMBLY

| INDEX | PART NUMBER | DESCRIPTION | QTY |
|--------------|--------------------|--|------------|
| 1 | 4532000 | DOOR ASSEMBLY - COMMON - STD (173) | 1 |
| | 1592000 | DOOR ASSEMBLY - COMMON (172) | |
| 2 | 4525003 | FACE PLATE ASSEMBLY - POLYVEND (SEE FIGURE 21) | 1 |
| | 4525005 | FACE PLATE ASSEMBLY - PROVEND (SEE FIGURE 21) | |
| 3 | - | DOOR LOCK (SEE FIGURE 5) | 1 |
| 4 | - | CUP - COIN RETURN (SEE FIGURE 6) | 1 |
| 5 | - | FLAP DELIVERY PAN - NO G & M (SEE FIGURE 11) | 1 |
| | - | FLAP DELIVERY PAN - WITH G & M (SEE FIGURE 11) | |
| 6 | - | DOOR GLASS (SEE FIGURE 7) | 1 |

Snack Vendor Model 172 - 173 Parts Manual

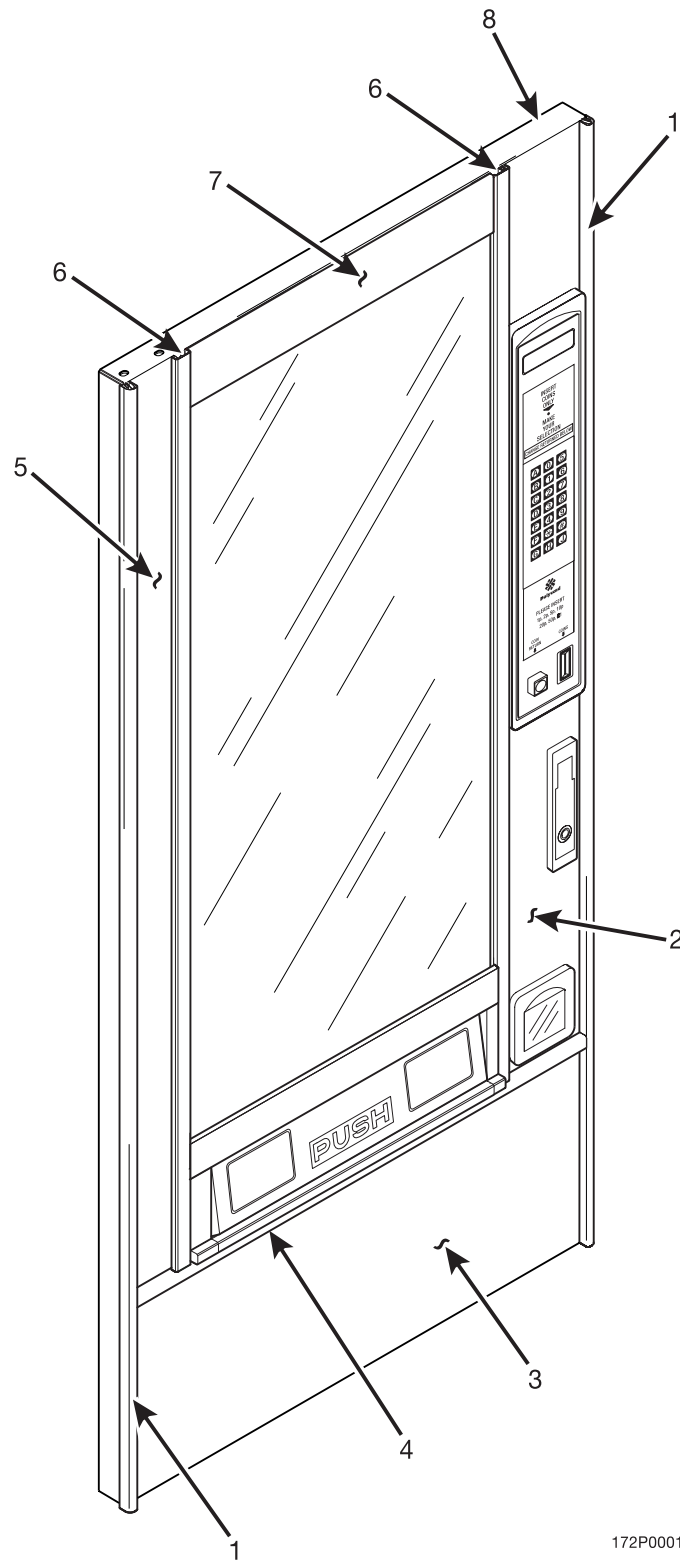


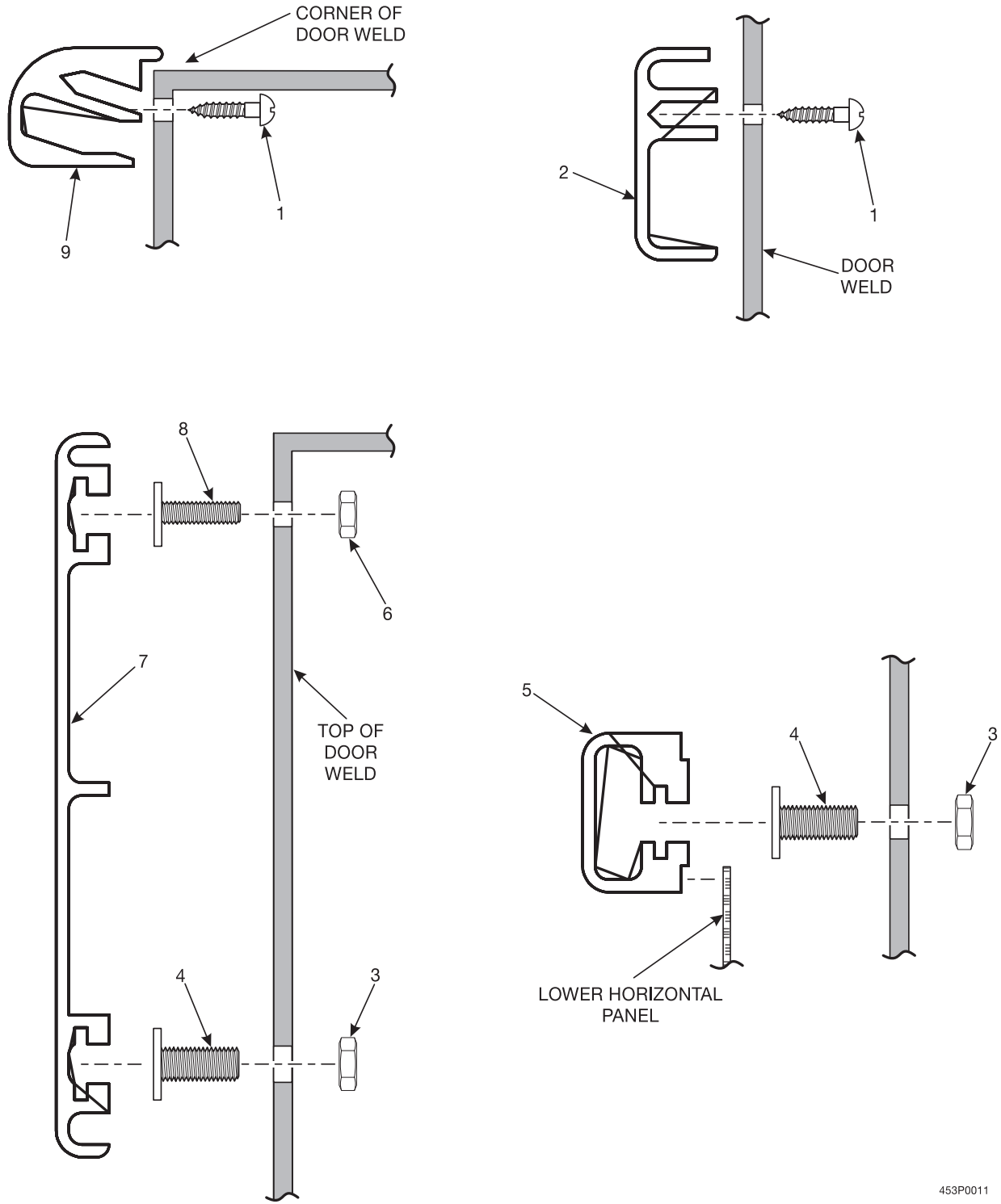
Figure 3. Door Trim and Panels

Snack Vendor Model 172 - 173 Parts Manual

TABLE 3. DOOR TRIM AND PANELS

| INDEX | PART NUMBER | DESCRIPTION | QTY |
|-------|-------------|---|-----|
| 1 | 1592069 | TRIM - DOOR - SIDE - BLACK | 2 |
| 2 | 1592038 | PANEL - R.H. - LIGHT GRAY | 1 |
| | 1592044 | PANEL - R.H. - FLAT "T" BLACK | |
| | 4532004 | PANEL - R.H. - GRANADA WHITE (173) | |
| | 1592075 | PANEL - R.H. - NU WHITE | |
| 3 | 1592042 | PANEL - LOWER - FLAT "T" BLACK (172) | 1 |
| | 1602036 | PANEL - LOWER - MEDIUM GRAY (173) | |
| | 1602041 | PANEL - LOWER - FLAT "T" BLACK (173) | |
| | 4532006 | PANEL - LOWER - GRANADA WHITE (173) | |
| | 1602060 | PANEL - LOWER - NU WHITE (173) | |
| | 1592040 | PANEL - LOWER - MEDIUM GRAY (172) | |
| | 1592088 | PANEL - LOWER - NU WHITE (172) | |
| 4 | 1602016 | TRIM - DOOR - HORIZ - BLACK (173) | 1 |
| | 1592067 | TRIM - DOOR - HORIZ - BLACK (172) | |
| 5 | 1592039 | PANEL - L.H. - LIGHT GRAY | 1 |
| | 4532005 | PANEL - L.H. - GRANADA WHITE (173) | |
| | 1592045 | PANEL - L.H. - FLAT "T" BLACK | |
| | 1592076 | PANEL - L.H. - NU WHITE | |
| 6 | 1592068 | TRIM - DOOR - INSIDE - BLACK (173) | 2 |
| 7 | 1602029 | TRIM PANEL - TOP - MED. GRAY (173) | 1 |
| | 1602066 | TRIM PANEL - TOP - KLIX WHITE (173) | |
| | 1602040 | TRIM PANEL - TOP - FLAT "T" BLACK (173) | |
| | 4532011 | TRIM PANEL - TOP - GRANADA WHITE (173) | |
| | 1592034 | TRIM PANEL - TOP - MED. GRAY (172) | |
| | 1592043 | TRIM PANEL - TOP - FLAT "T" BLACK (172) | |
| | 1592089 | TRIM PANEL - TOP - KLIX WHITE (172) | |

SnackVendor Model 172 - 173 Parts Manual



453P0011

Figure 4. Door Trim Detail

Snack Vendor Model 172 - 173 Parts Manual

TABLE 4. DOOR TRIM DETAIL

| | PART NUMBER | DESCRIPTION | QTY. |
|---|--------------------|---|-------------|
| 1 | G1472028 | SCREW - #6 X .38 SHT METAL | 32 |
| 2 | 1592068 | TRIM - DOOR - INSIDE - BLACK (173) | 2 |
| 3 | 9900081 | NUT - #8-32 KEPS ZINC PLATED | 15 |
| 4 | 2222110 | T-BOLT #8-32 NC - 2 THD | 15 |
| 5 | 1602016 | TRIM - DOOR - HORIZ - BLACK (173) | 1 |
| | 1592067 | TRIM - DOOR - HORIZ - BLACK (172) | |
| 6 | 9900078 | NUT - #6-32 KEPS ZINC PLATED | 3 |
| 7 | 1602029 | TRIM PANEL - TOP - MED. GRAY (173) | 1 |
| | 1602066 | TRIM PANEL - TOP - KLIX WHITE (173) | |
| | 1602040 | TRIM PANEL - TOP - FLAT "T" BLACK (173) | |
| | 4532011 | TRIM PANEL - TOP - GRANADA WHITE (173) | |
| | 1592034 | TRIM PANEL - TOP - MED. GRAY (172) | |
| | 1592043 | TRIM PANEL - TOP - FLAT "T" BLACK (172) | |
| | 1592089 | TRIM PANEL - TOP - KLIX WHITE (172) | |
| 8 | 1572060 | T-BOLT #6-32 X 3/8 | 3 |
| 9 | 1592069 | TRIM - DOOR - SIDE - BLACK | 2 |

SnackVendor Model 172 - 173 Parts Manual

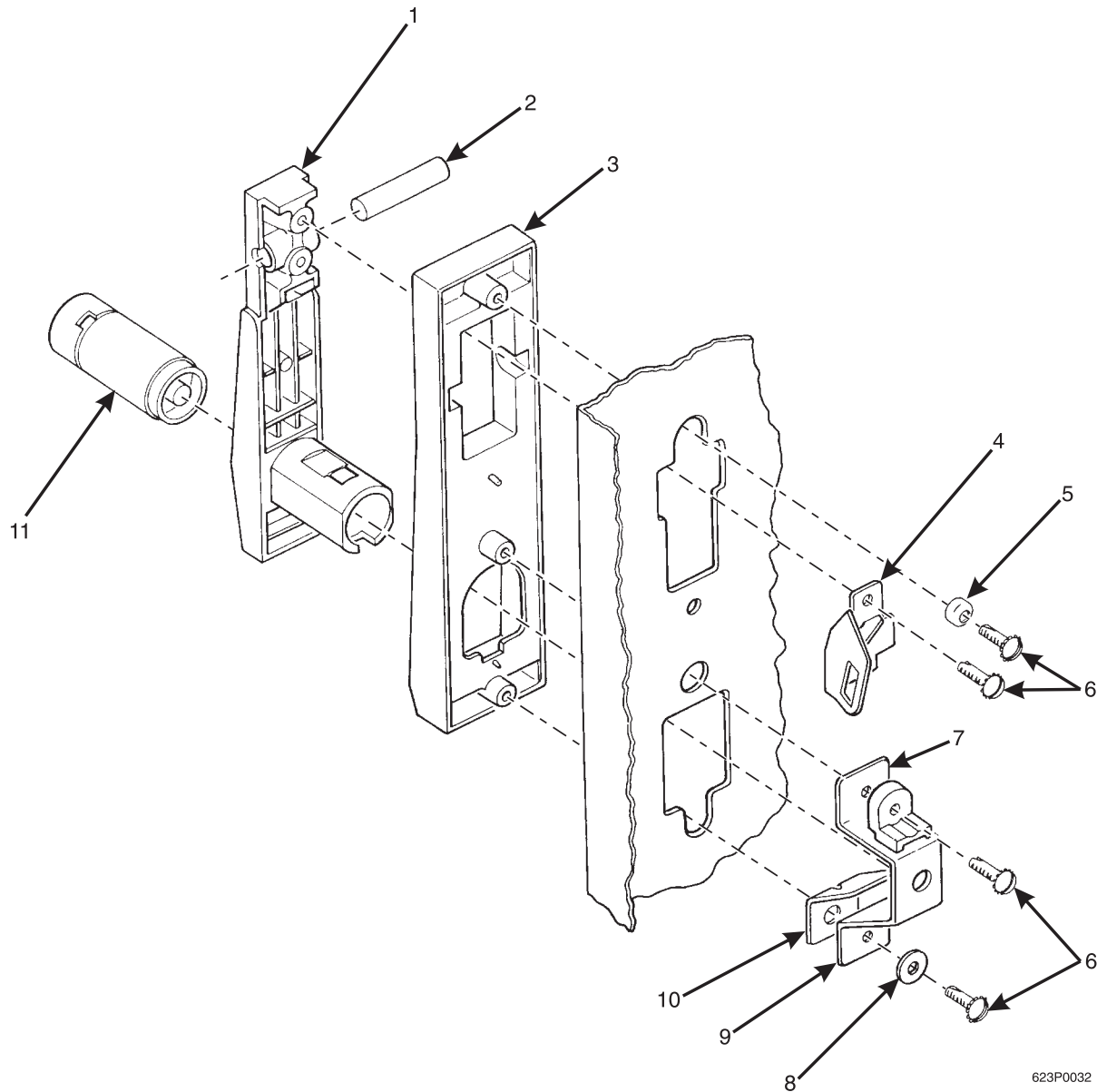


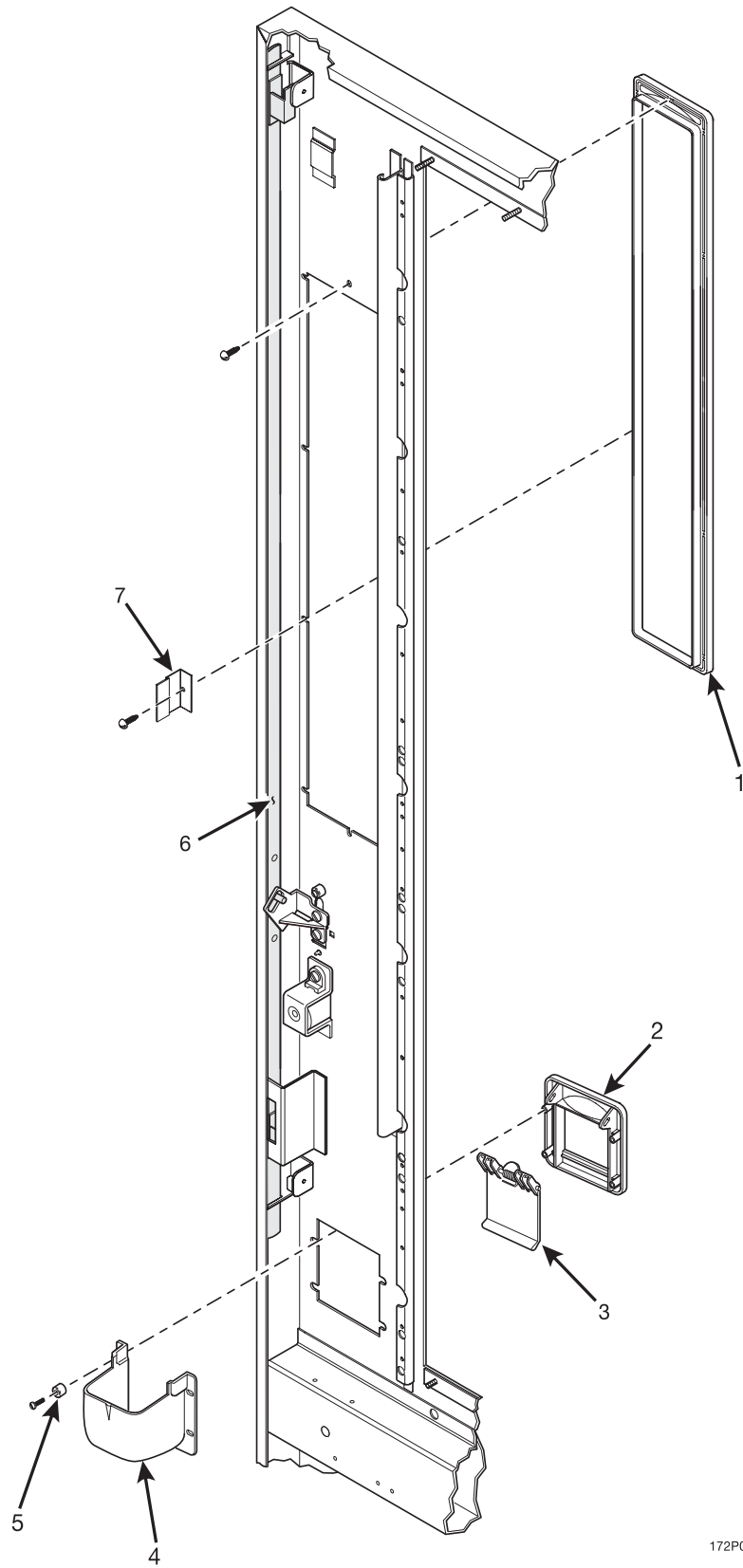
Figure 5. Door Lock and Handle Assembly

SnackVendor Model 172 - 173 Parts Manual

TABLE 5. DOOR LOCK AND HANDLE ASSEMBLY

| INDEX | PART NUMBER | DESCRIPTION | QTY. |
|-------|-------------|--|------|
| 1 | 1172190 | LEVER - LOCK | 1 |
| 2 | 1302291 | PIVOT - LEVER LOCK | 1 |
| 3 | 1172191 | BASE - LEVER LOCK | 1 |
| 4 | 2272052 | ACTUATOR ASSEMBLY - LOCK BAR | 1 |
| 5 | 1302289 | CUP SPACER | 2 |
| 6 | 1217161 | SCREW - #10-32 X 1/2 RHS W/LW | 5 |
| 7 | 1302326 | SHIELD - LATCH | 1 |
| 8 | 9900121 | WASHER - STEEL - 7/16 X .203 X .032 | 1 |
| 9 | 1302324 | CATCH - DOOR LATCH | 1 |
| 10 | 1302290 | LATCH - LOCK LOWER | 1 |
| 11 | 3112163 | CYLINDER - VAN LOCK | 1 |
| | 3112164 | KEY - VAN LOCK | OPT. |
| | 9992400 | CYLINDER - FLEX ACE | |
| | 9994XYZ | KEY - FLEX ACE (XYZ = YOUR KEY NUMBER) | |

Snack Vendor Model 172 - 173 Parts Manual



172P0005

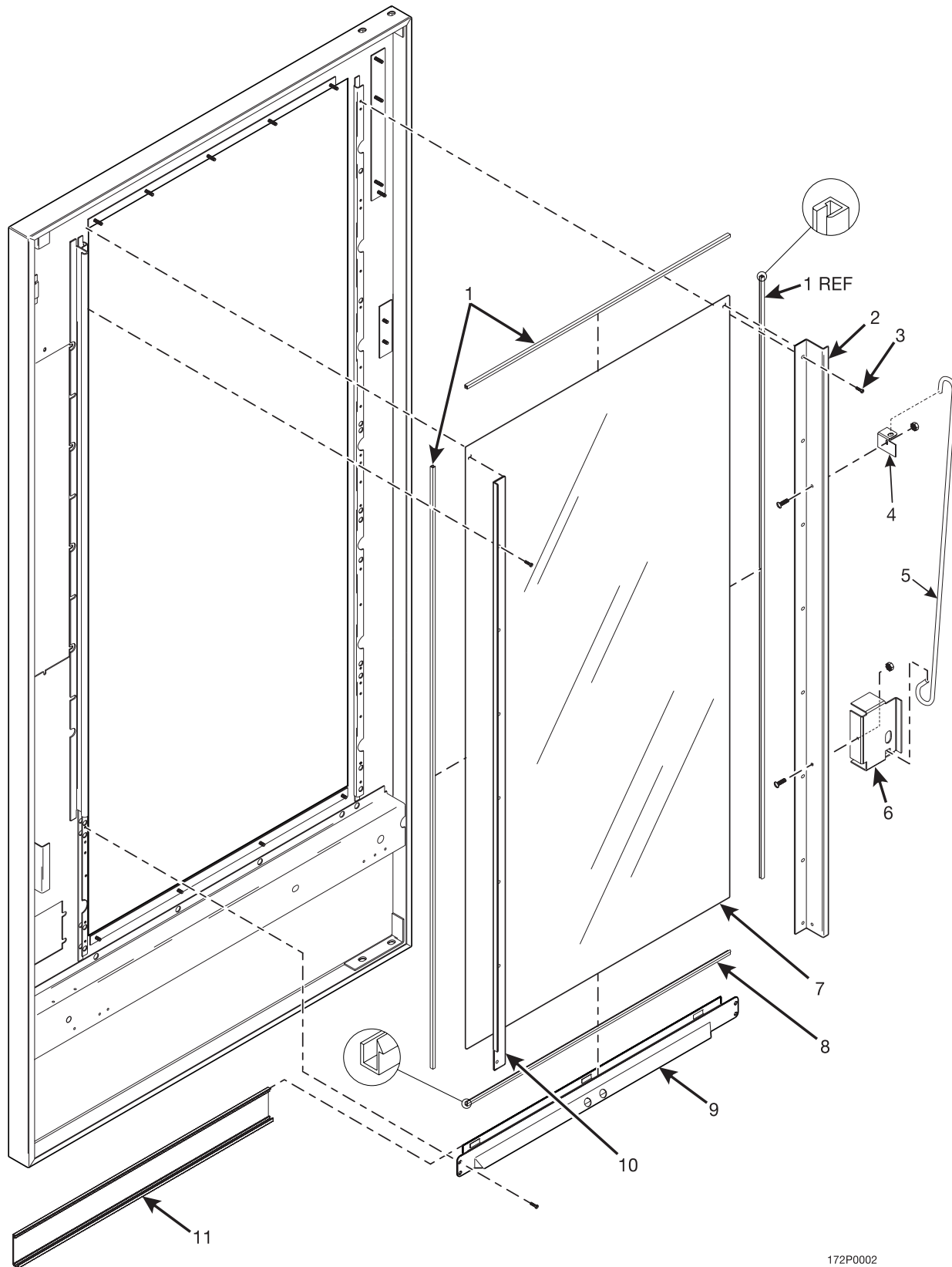
Figure 6. Door Miscellaneous

Snack Vendor Model 172 - 173 Parts Manual

TABLE 6. DOOR MISCELLANEOUS

| INDEX | PART NUMBER | DESCRIPTION | QTY. |
|--------------|--------------------|--|-------------|
| 1 | 1575047 | CASTING - MONETARY FRAME - BLACK RIDGE | 1 |
| 2 | 1572011 | TRIM - COIN CUP - BLACK | 1 |
| 3 | 4245082 | GATE - COIN RETURN | 1 |
| | 4245083 | SPRING - COIN RETURN DOOR | 1 |
| | 4245084 | SHAFT - DOOR - COIN RETURN | 1 |
| 4 | 1572010 | CUP - COIN RETURN | 1 |
| 5 | 2302053 | SPACER CUP | 1 |
| 6 | 1472178 | LOCK BAR ASSEMBLY | 1 |
| 7 | 1472250 | GUIDE - LOCK BAR | 1 |

SnackVendor Model 172 - 173 Parts Manual



172P0002

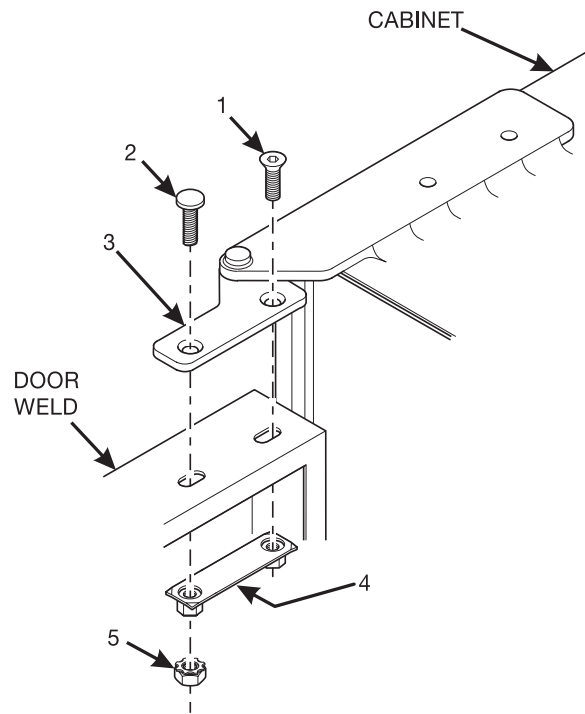
Figure 7. Door Glass

Snack Vendor Model 172 - 173 Parts Manual

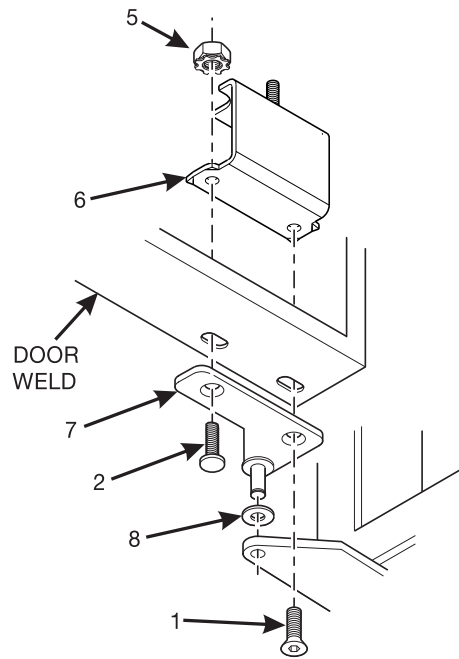
TABLE 7. DOOR GLASS

| INDEX | PART NUMBER | DESCRIPTION | QTY |
|-------|-------------|--|-----|
| 1 | 1702010 | CHANNEL - GLASS - UPPER 112. 28 IN. LONG (172) | 1 |
| | 1712002 | CHANNEL - GLASS - UPPER - 106.16 IN. LONG (173) | |
| 2 | 1572020 | RETAINER - GLASS - LG. SNACK | 1 |
| 3 | G1472028 | SCREW - #6 X .38 SHEET METAL | 1 |
| 4 | 1572028 | RETAINER - ROD SUPPORT - COMMON (WITH GUM & MINT ONLY) | 1 |
| 5 | 1479140 | ROD - SUPPORT - G & M (WITH GUM & MINT ONLY) | 1 |
| 6 | 1572027 | SUPPORT - PROP ROD - COMMON (WITH GUM & MINT ONLY) | 1 |
| 7 | 1582075 | GLASS - DISPLAY (173) | 1 |
| | 1452059 | GLASS - DISPLAY (172) | |
| 8 | 1582074 | CHANNEL - GLASS - LOWER (173) | 1 |
| | 1402120 | CHANNEL - GLASS - LOWER (172) | |
| 9 | 4302026 | PANEL ASSEMBLY - GLASS - LOWER (173) | 1 |
| | 1472220 | PANEL ASSEMBLY - GLASS - LOWER (172) | |
| 10 | 1472048 | PLATE - GLASS RETAINING | 1 |
| 11 | 1602037 | TRIM PANEL - GLASS - LOWER - BLACK (173) | 1 |
| | 1592041 | TRIM PANEL - GLASS - LOWER - BLACK (172) | |

SnackVendor Model 172 - 173 Parts Manual



UPPER DOOR HINGE ASSY



453P0013

LOWER DOOR HINGE ASSY

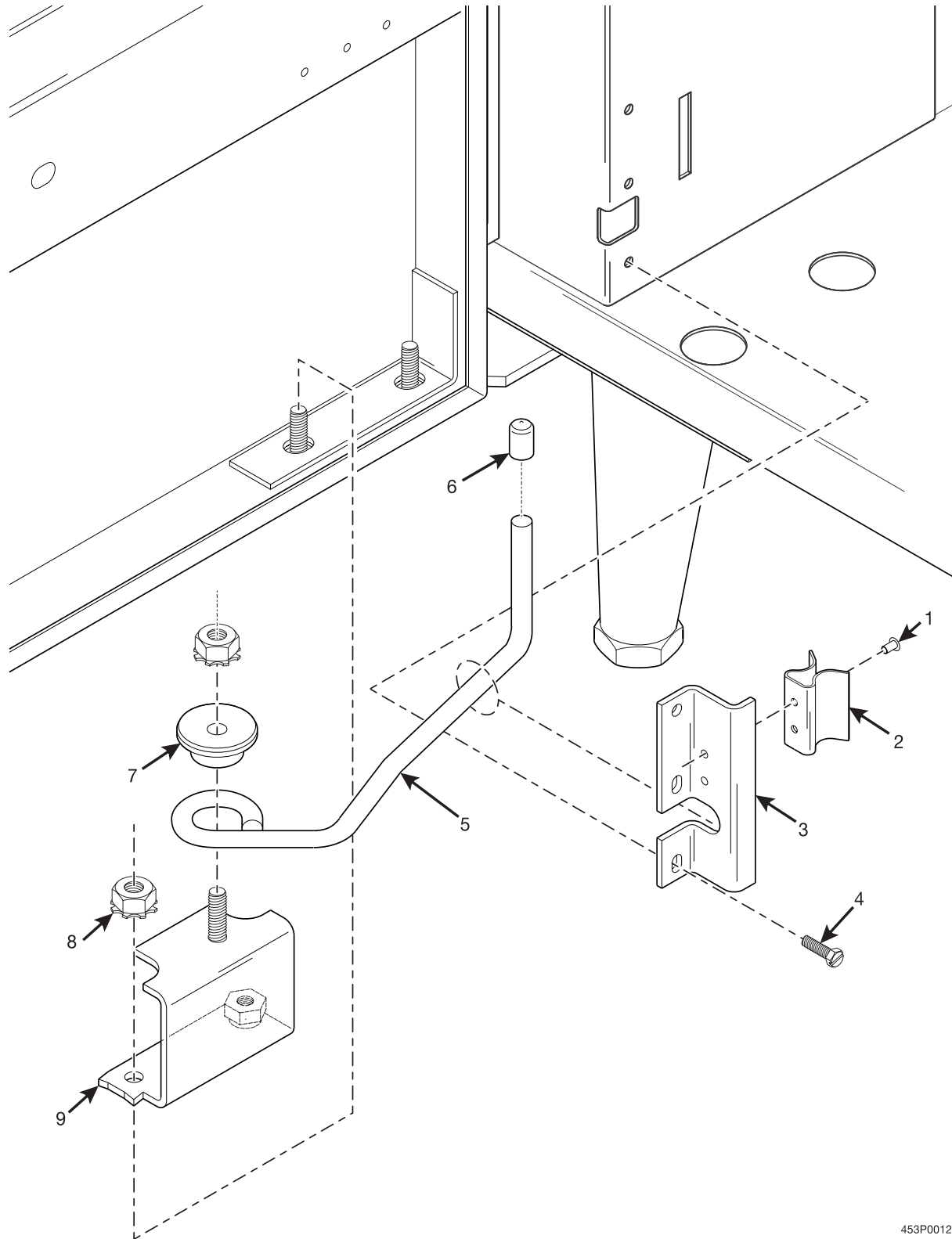
Figure 8. Upper and Lower Door Hinge Assemblies

SnackVendor Model 172 - 173 Parts Manual

TABLE 8. UPPER AND LOWER DOOR HINGE ASSEMBLIES

| INDEX | PART NUMBER | DESCRIPTION | QTY. |
|--------------|--------------------|---|-------------|
| 1 | 6232036 | SCREW - 5/16 - 18 X .75 FLT. HD SOCKET | 2 |
| 2 | 6232208 | WELD SCREW - #1/4 - 20 X 1" LG | 2 |
| 3 | 1571098 | HINGE ASSEMBLY - UPPER | 1 |
| 4 | 6232028 | PLATE ASSEMBLY - HINGE MOUNTING | 1 |
| 5 | 1211105 | 1/4 - 20 KEPS NUT EXT LW ZP | 2 |
| 6 | 1572007 | WELD ASSEMBLY - DOOR CHECK (SEE FIGURE 9) | 1 |
| 7 | 6232031 | HINGE ASSEMBLY - DOOR - LOWER | 1 |
| 8 | 4242145 | BEARING - THRUST - LOWER HINGE | 1 |

SnackVendor Model 172 - 173 Parts Manual



453P0012

Figure 9. Door Check

SnackVendor Model 172 - 173 Parts Manual

TABLE 9. DOOR CHECK

| INDEX | PART NUMBER | DESCRIPTION | QTY. |
|-------|-------------|--|------|
| 1 | 1571091 | RIVET - SEMI - TUBULAR - .125 D X .218 | 2 |
| 2 | 1451041 | SPRING - DOOR CHECK | 1 |
| 3 | 1572007 | WELD ASSEMBLY - DOOR CHECK | 1 |
| 4 | 1472132 | SCREW - #6-32 X .25 PHS T/C | 3 |
| 5 | 1572009 | ROD - DOOR CHECK | 1 |
| 6 | 1571037 | CAP - VINYL - .281 ID X .50 LONG | 1 |
| 7 | 1142017 | BUSHING - DOOR CHECK | 1 |
| 8 | 1211105 | 1/4 - 20 KEPS NUT EXT LW ZP | 2 |
| 9 | 1572007 | WELD ASSEMBLY - DOOR CHECK | 1 |

SnackVendor Model 172 - 173 Parts Manual

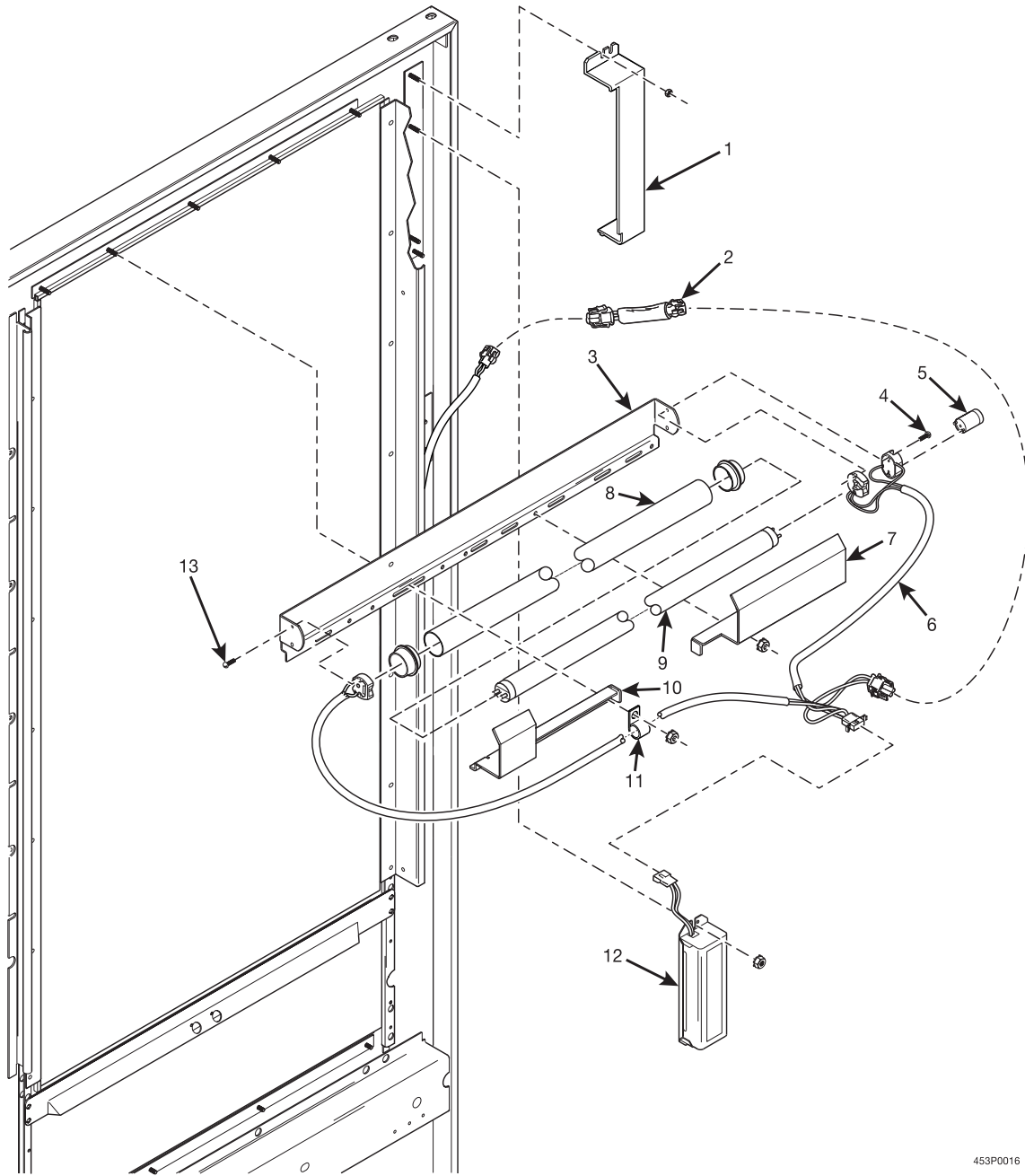


Figure 10. Fluorescent Light

SnackVendor Model 172 - 173 Parts Manual

TABLE 10. FLUORESCENT LIGHT

| INDEX | PART NUMBER | DESCRIPTION | QTY. |
|--------------|--------------------|------------------------------------|-------------|
| 1 | 1572047 | COVER - BALLAST - EUROPE | 1 |
| 2 | 6332010 | SUPPRESSION ASSEMBLY - 230 V. | 1 |
| 3 | 1582025 | BRACKET - LIGHT - COMMON - 20 WATT | 1 |
| 4 | 3107171 | SCREW - #4-36 X 5/8 RHS | 2 |
| 5 | 2222095 | FLUORESCENT LAMP STARTER | 1 |
| 6 | 1709015 | HARNESS - DOOR - FLUORESCENT LIGHT | 1 |
| 7 | 1572045 | COVER - LIGHT SOCKET - LEFT | 1 |
| 8 | 4532008 | SAFETY SLEEVE ASSEMBLY | 1 |
| 9 | 1122138 | FLUORESCENT LAMP | 1 |
| 10 | 1572044 | COVER - LIGHT SOCKET - RIGHT | 1 |
| 11 | 1452139 | RETAINER - HARNESS | 2 |
| 12 | 1572016 | BALLAST ASSEMBLY - 20 W - 230 V. | 1 |
| 13 | 1452076 | SCREW - #4-36 X .432 RHS | 2 |

SnackVendor Model 172 - 173 Parts Manual

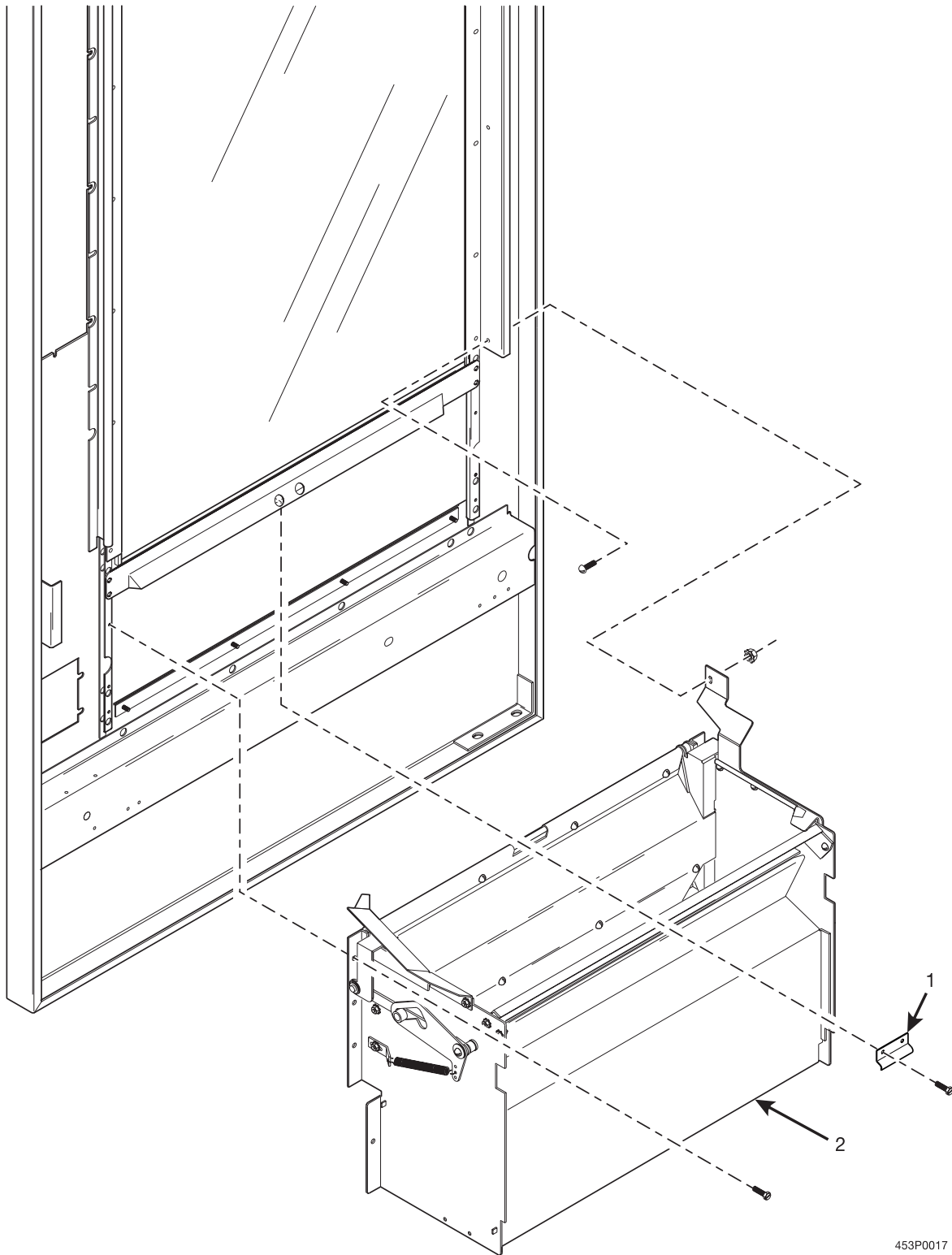


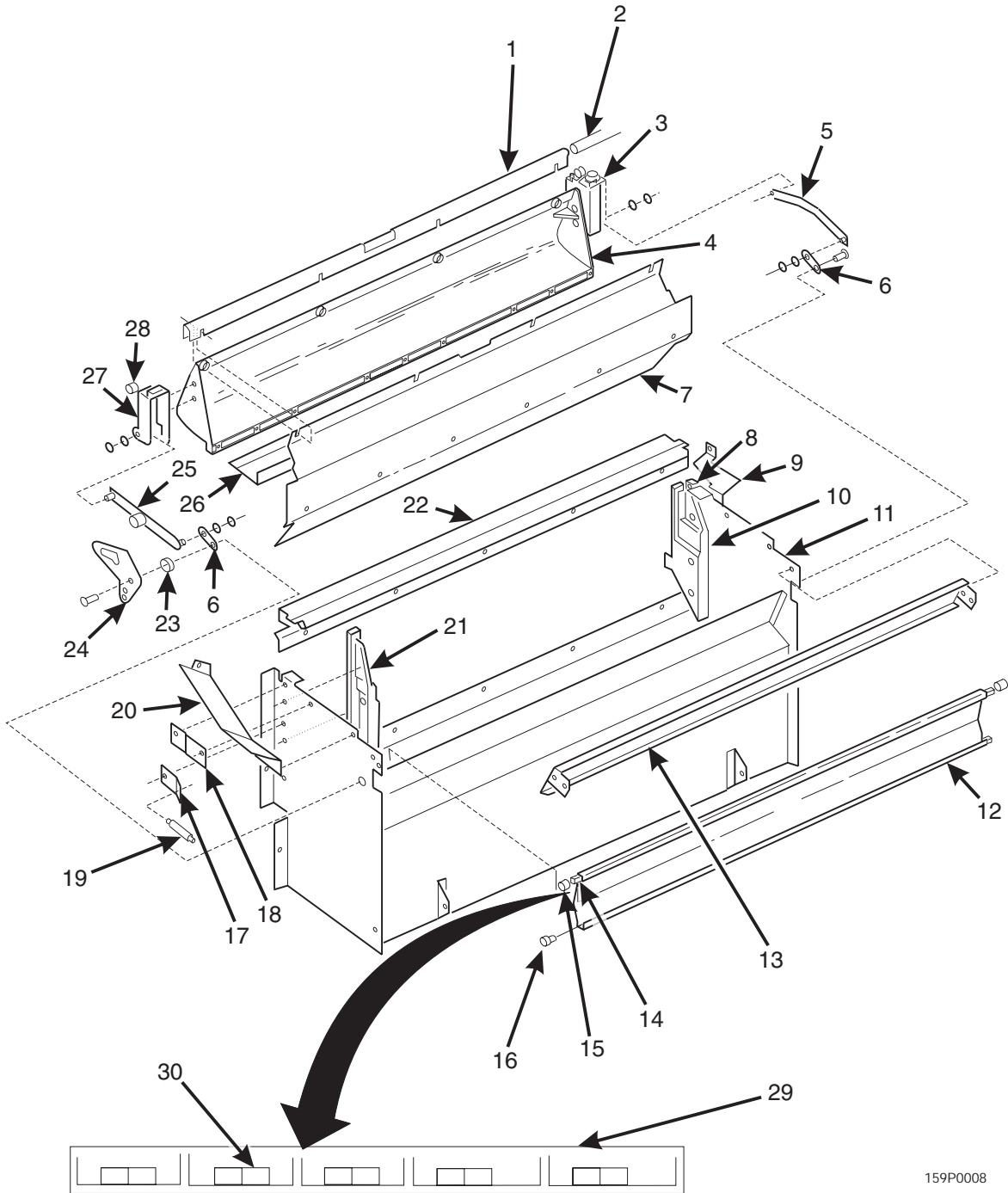
Figure 11. Delivery Pan Assembly (Part 1 of 2)

SnackVendor Model 172 - 173 Parts Manual

TABLE 11. DELIVERY PAN ASSEMBLY (PART 1 OF 2)

| INDEX | PART NUMBER | DESCRIPTION | QTY. |
|--------------|--------------------|--|-------------|
| 1 | 1472142 | RETAINER - DOOR PIVOT | 1 |
| 2 | 1602039 | DELIVERY PAN ASSEMBLY - NV SPCL. PR. (173) (SEE FIGURE 12) | 1 |
| | 1572043 | FLAP DELIVERY PAN ASSEMBLY (172) (SEE FIGURE 12) | |

Snack Vendor Model 172 - 173 Parts Manual



159P0008

Figure 12. Delivery Pan Assembly (Part 2 of 2)

Snack Vendor Model 172 - 173 Parts Manual

TABLE 12. DELIVERY PAN ASSEMBLY (PART 2 OF 2)

| INDEX | PART NUMBER | DESCRIPTION | QTY |
|-------|-------------|--|-----|
| 1 | 1462035 | CHANNEL - DOOR (173) | 1 |
| | 1412028 | CHANNEL - DOOR (172) | |
| 2 | 1482002 | SHAFT - DOOR - PIVOT (173) | 1 |
| | 1472228 | SHAFT - DOOR - PIVOT (172) | |
| 3 | 1482252 | ACTUATOR - DELIVERY DOOR - L.H. (173) | 1 |
| | 1472272 | ACTUATOR - DELIVERY DOOR - L.H. (172) | |
| 4 | 1582024 | DOOR - DELIVERY (173) | 1 |
| | 1472137 | DOOR - DELIVERY (172) | |
| 5 | 4402017 | ACTUATOR ASSEMBLY | 1 |
| 6 | 1472145 | ACTUATOR - REAR PIVOT | 2 |
| 7 | 1482163 | LINER - DOOR - PILFERAGE (173) | |
| | 1472108 | LINER - DOOR - PILFERAGE (172) | |
| 8 | 1472069 | BRACKET - DOOR - PIVOT - L.H. | |
| 9 | 1602014 | DEFLECTOR - L.H. - SMALL | |
| 10 | 1602034 | FILLER - LEFT (173) | 1 |
| | 1412023 | FILLER - LEFT (172) | |
| 11 | 1602038 | WELD ASSEMBLY - DELIVERY PAN (173) | 1 |
| | 1472288 | WELD ASSEMBLY - DELIVERY PAN (172) | |
| 12 | 1482171 | ASSEMBLY - REAR - DELIVERY DOOR (173) | 1 |
| | 1472138 | ASSEMBLY - REAR - DELIVERY DOOR (172) | |
| 13 | 1482159 | FILLER - DELIVERY PAN (WITHOUT GUM & MINT) | 1 |
| 14 | 1472087 | WASHER - .38 I.D. X .56 O.D. | 2 |
| 15 | 1472083 | SPACER | 2 |
| 16 | 4042556 | CANOE CLIP | 2 |
| 17 | 2342110 | BRACKET - SPRING | 1 |
| 18 | 1472068 | BRACKET - DOOR PIVOT - R.H. | 1 |
| 19 | 4246044 | SPRING - ELEVATOR GUIDE ARM | 1 |
| 20 | 1572029 | DEFLECTOR - PRODUCT - R.H. | 1 |
| 21 | 1412022 | FILLER - RT. | 1 |
| 22 | 1482187 | PAN - DELIVERY - FRONT (173) | 1 |
| | 1472200 | PAN - DELIVERY - FRONT (172) | |
| 23 | 2342109 | BUSHING - DELIVERY LINKAGE | 1 |
| 24 | 4402016 | PLATE - DOOR RETENTION | 1 |
| 25 | 1472156 | ACTUATOR ASSEMBLY - RIGHT | 1 |
| 26 | 1462073 | ANGLE - DELIVERY DOOR (173) | 1 |
| | 1412047 | ANGLE - DELIVERY DOOR (172) | |
| 27 | 1482251 | ACTUATOR - DELIVERY DOOR R.H. (173) | 1 |
| | 1472271 | ACTUATOR - DELIVERY DOOR R.H. (172) | |
| 28 | 1472219 | SPACER | 2 |
| 29 | 1472088 | LABEL - GUM & MINT SELECTIONS | 1 |
| 30 | 1472105 | PRICE LABELS - GUM & MINT (\$ AND ¢) | 1 |

Snack Vendor Model 172 - 173 Parts Manual

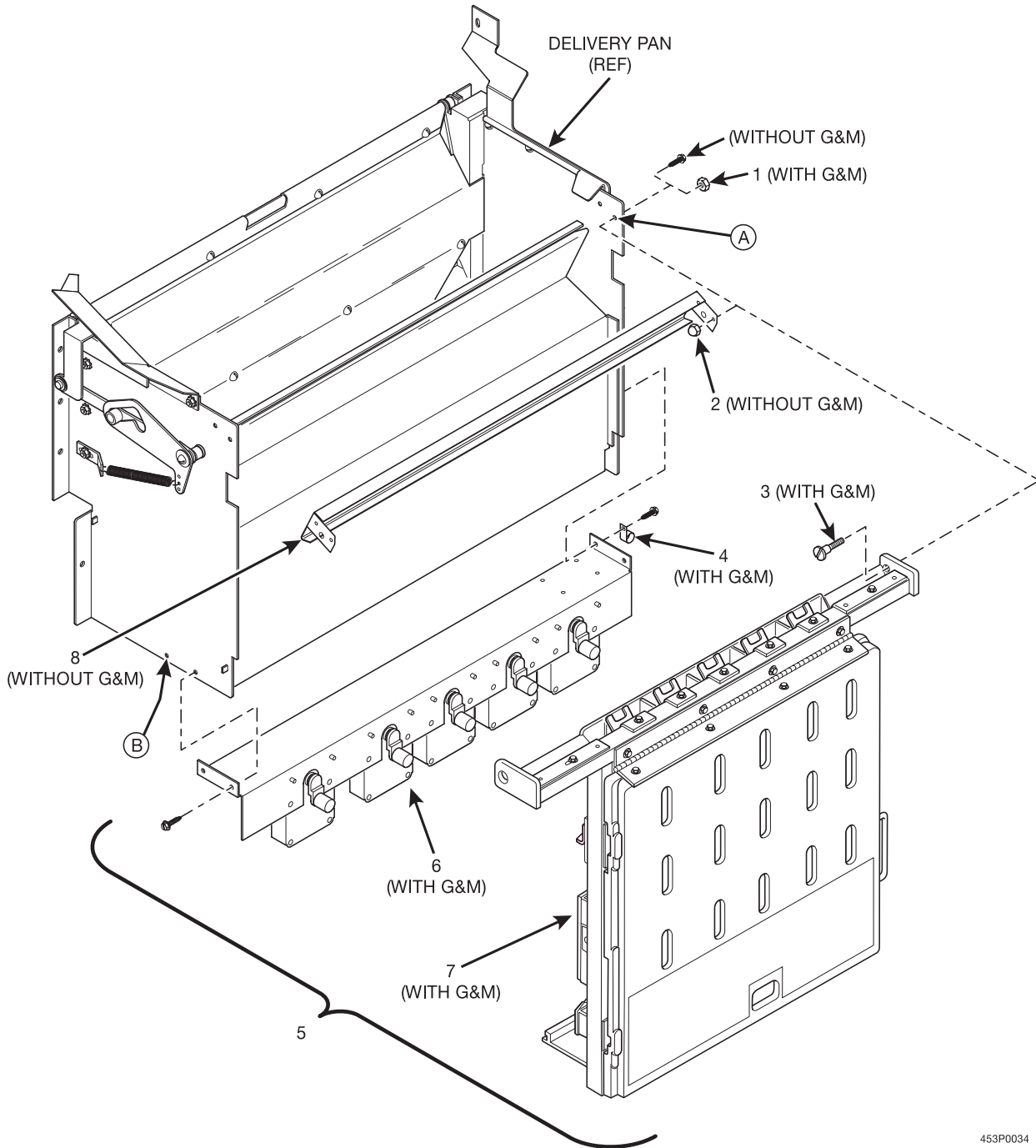


Figure 13. Gum and Mint Unit (Part 1 of 2)

Snack Vendor Model 172 - 173 Parts Manual

TABLE 13. GUM AND MINT UNIT (PART 1 OF 2)

| INDEX | PART NUMBER | DESCRIPTION | QTY |
|-------|-------------|--|-----|
| 1 | 1407048 | NUT - 10-32 M/F #21TWA1032 ZP (WITH GUM & MINT) | |
| 2 | 3108030 | ACORN NUT BRASS NICKEL 8-32 (WITHOUT GUM & MINT) | |
| 3 | 1479052 | STUD - PIVOT - GUM & MINT | |
| 4 | 1452139 | RETAINER - HARNESS (WITH GUM & MINT) | |
| 5 | 1577000 | GUM & MINT COLUMN (172) (SEE FIGURE 14) | |
| | 1587000 | GUM & MINT COLUMN (173) (SEE FIGURE 14) | |
| 6 | 1479127 | ANGLE & MOTOR ASSEMBLY (172) (SEE FIGURE 14) | |
| | 1489004 | ANGLE & MOTOR ASSEMBLY (172) (SEE FIGURE 14) | |
| 7 | 1479136 | FRAME ASSEMBLY - GUM & MINT (172) (SEE FIGURE 14) | |
| | 1489008 | FRAME ASSEMBLY - GUM & MINT (173) (SEE FIGURE 14) | |
| | 1479130 | MAGAZINE ASSEMBLY - GUM & MINT (172) (SEE FIGURE 14) | |
| | 1489006 | MAGAZINE ASSEMBLY - GUM & MINT (173) (SEE FIGURE 14) | |
| | 1472082 | FILLER - DELIVERY PAN (172) (WITHOUT GUM & MINT) | |
| 8 | 1482159 | FILLER - DELIVERY PAN (173) (WITHOUT GUM & MINT) | |

SnackVendor Model 172 - 173 Parts Manual

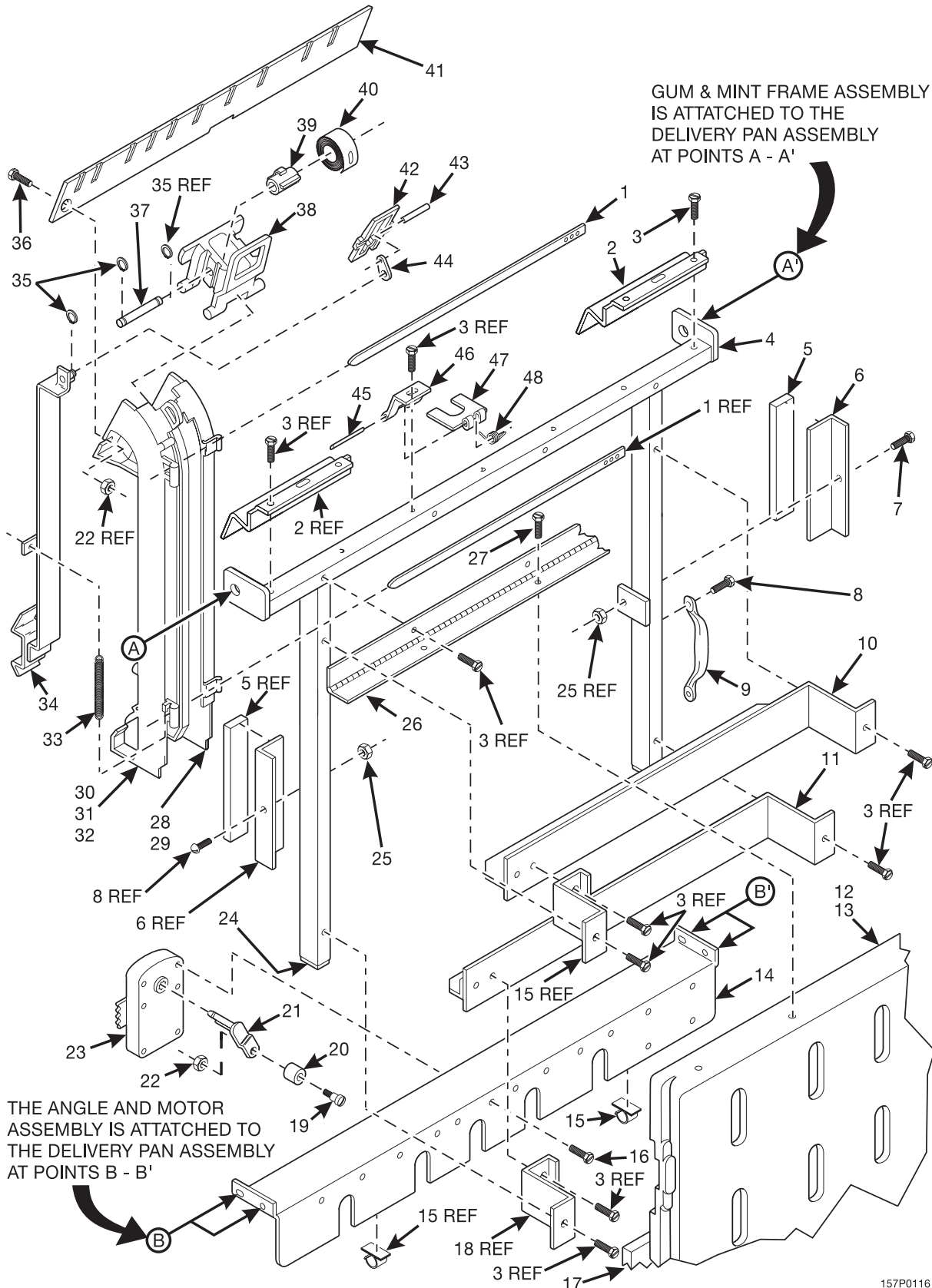


Figure 14. Gum and Mint Unit (Part 2 of 2)

157P0116

Snack Vendor Model 172 - 173 Parts Manual

TABLE 14. GUM AND MINT UNIT (PART 2 OF 2)

| INDEX | PART NUMBER | DESCRIPTION | QTY. |
|-------|-------------|---|------|
| - | 1577000 | GUM & MINT COLUMN (172) | - |
| | 1587000 | GUM & MINT COLUMN (173) | |
| 1 | 1579053 | RETAINER | 3 |
| 2 | 1479103 | FILLER - GUM & MINT | 2 |
| 3 | 1451097 | SCREW - #8-32 X .31 HEX HD. TF | |
| 4 | 1479136 | FRAME ASSEMBLY - GUM & MINT (172) | 1 |
| | 1489008 | FRAME ASSEMBLY - GUM & MINT (173) | |
| 5 | 3122056 | MAGNET RETAINER - COIN CHANGER | 2 |
| 6 | 1479117 | ANGLE - MAGNET | 2 |
| 7 | 9900201 | SCREW - #8-32 X 5/16 RHS SEMS MACH ZINC | 2 |
| 8 | 4041053 | SCREW - #10-32 X 3/8 PHS T/C W/LW | 2 |
| 9 | 1479139 | PULL - DOOR | 1 |
| 10 | 1479089 | SUPPORT ASSEMBLY - MAGAZINE - UPPER | 1 |
| 11 | 1479092 | SUPPORT ASSEMBLY - MAGAZINE - LOWER | 1 |
| 12 | 1479101 | COVER - GUM & MINT | 1 |
| 13 | 1479124 | LABEL - LOADING - GUM & MINT | 1 |
| 14 | 1479102 | ANGLE - MOTOR (172) | 1 |
| | 1489005 | ANGLE - MOTOR (173) | |
| 15 | 6131143 | CABLE CLAMP - RICHCO #KKC6 | 2 |
| 16 | 1457027 | SCREW - #8-32 X .81 HEX HD. - T/F | 10 |
| 17 | 1479119 | MAGNET - RETAINER | 2 |
| 18 | 1479095 | BRACKET - MAGAZINE | 2 |
| 19 | 1479062 | STUD - DRIVE ARM | 5 |
| 20 | 1479063 | ROLLER - DRIVE ARM | 5 |
| 21 | 1479145 | ARM - DRIVE MOTOR | 5 |
| 22 | 9900081 | NUT - #8-32 KEPS ZINC PLATE | 5 |
| 23 | 1577035 | MOTOR & PC BOARD ASSEMBLY | 5 |
| 24 | 1479120 | CAPLUG - REC. 1/2 X 1 | 2 |
| 25 | 1412046 | NUT - #8-32 MF 23TW832 BLOX | 2 |
| 26 | 1479104 | HINGE - COVER | 1 |
| 27 | 1437204 | SCREW - #8-10 X .38 HEX HD. TF | 4 |
| 28 | 1479075 | CHANNEL - GUM & MINT - LEFT | 5 |
| 29 | 1479064 | SPACER - COLUMN - G & M | 2 |
| 30 | 1479076 | CHANNEL - G & M RIGHT - SMALL | 3 |
| 31 | 1479077 | CHANNEL - G & M RIGHT - LARGE | 2 |
| 32 | 1572040 | LABEL - LOADING LINE - G & M | 1 |
| 33 | 4246307 | SPRING - HORIZONTAL SELECTOR ARM | 5 |
| 34 | 1479123 | DRIVE BAR & STUD ASSEMBLY | 5 |

Snack Vendor Model 172 - 173 Parts Manual

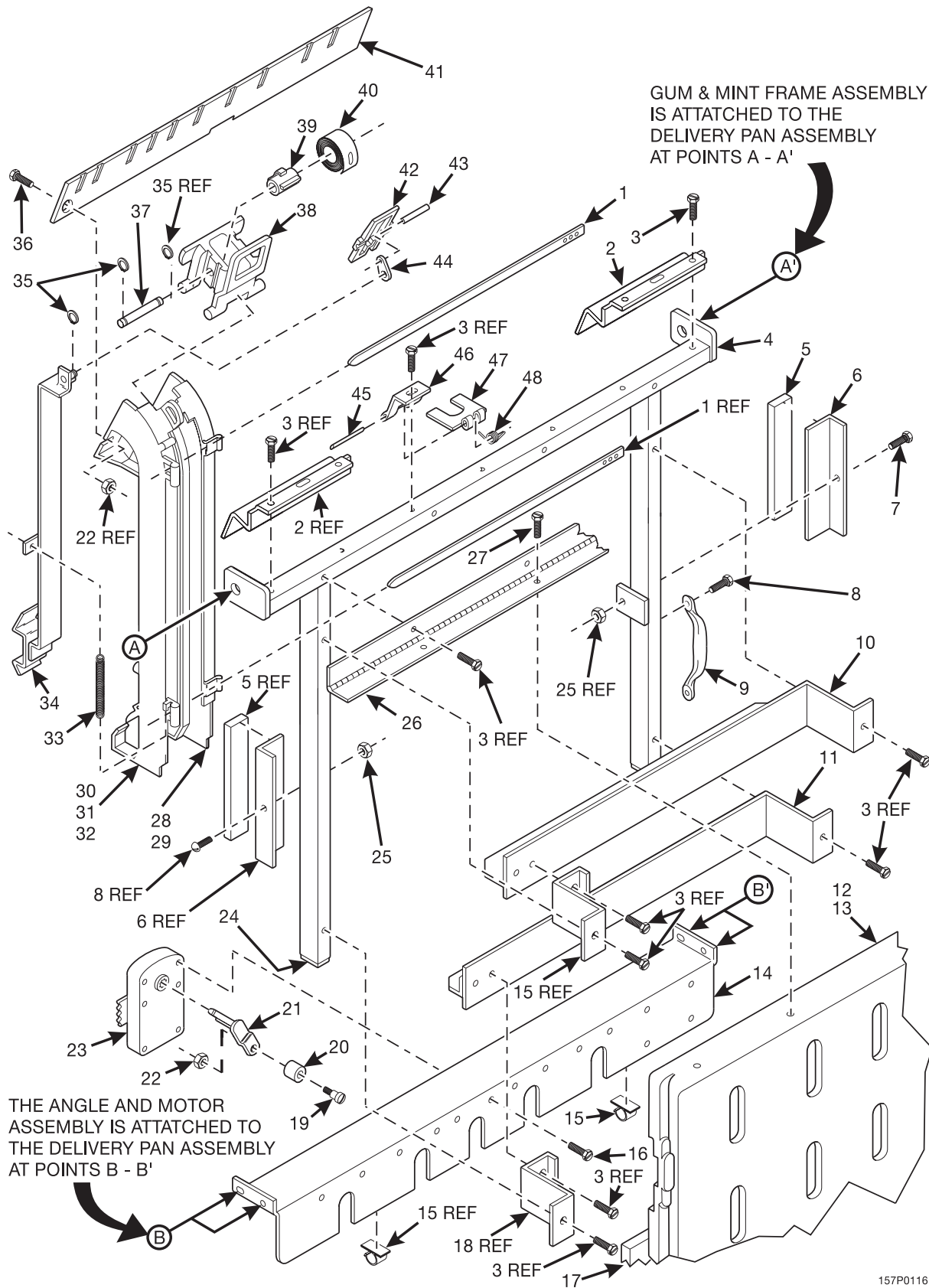


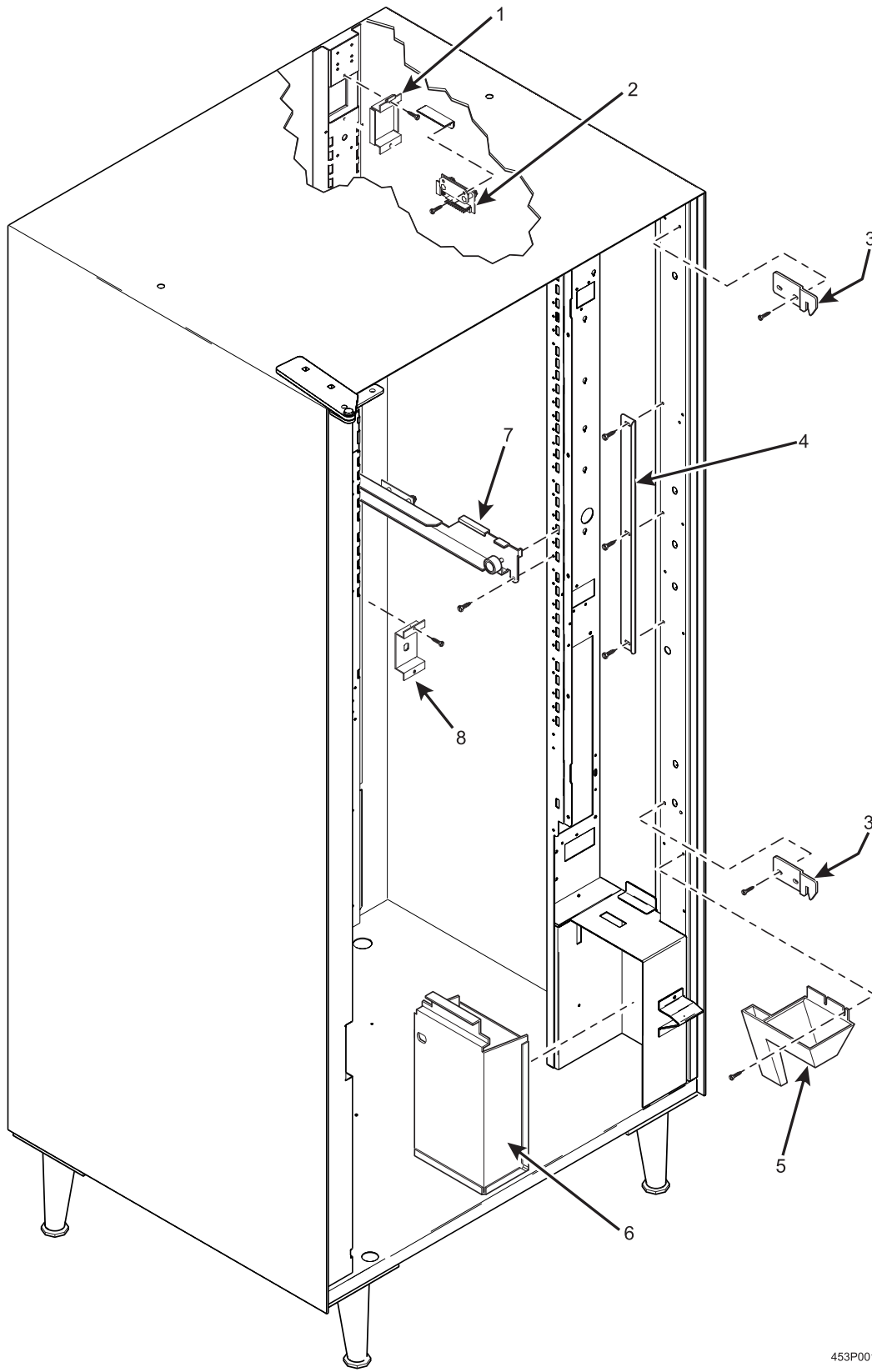
Figure 14. Gum and Mint Unit (Part 2 of 2) (Continued)

Snack Vendor Model 172 - 173 Parts Manual

TABLE 14. GUM AND MINT UNIT (PART 2 OF 2) (CONTINUED)

| INDEX | PART NUMBER | DESCRIPTION | QTY. |
|-------|-------------|------------------------------------|------|
| 35 | 9900425 | RETAINING RING REINF. E TYPE .250 | 15 |
| 36 | 9900020 | SCREW - #8-32 X 1/2 RHS MACH. ZINC | 1 |
| 37 | 1479099 | PIN - PUSHER | 5 |
| 38 | 1479079 | PUSHER | 5 |
| 39 | 1479080 | SPOOL - SPRING | 5 |
| 40 | 1479106 | SPRING - PUSHER | 5 |
| 41 | 1479105 | WINDOW - GUM & MINT | 1 |
| 42 | 1479078 | EJECTOR - GUM & MINT | 5 |
| 43 | 1479098 | PIN - EJECTOR | 5 |
| 44 | 1479097 | LINK - EJECTOR | 5 |
| 45 | 1479083 | PIN - HINGE | 5 |
| 46 | 1479082 | HINGE - BACK | 5 |
| 47 | 1479081 | HINGE - FRONT | 5 |
| 48 | 1479084 | SPRING - HINGE | 5 |

SnackVendor Model 172 - 173 Parts Manual



453P0014

Figure 15. Cabinet - Loose Parts

Snack Vendor Model 172 - 173 Parts Manual

TABLE 15. CABINET - LOOSE PARTS

| | PART NUMBER | DESCRIPTION | |
|---|--------------------|--|---|
| 1 | 1471090 | COVER - FAN HOLE (SEE FIGURE 16) | 1 |
| 2 | 1596012 | PCB ASSEMBLY - TRAY (SEE FIGURE 16) | |
| | 1571175 | PLATE - PCB RAIL - MOUNTING (SEE FIGURE 16) | 1 |
| 3 | 1571074 | LOCK - ARM CABINET | 1 |
| 4 | 1571022 | STOP - MONETARY PANEL | 2 |
| 5 | 6231242 | CHUTE - PAYOUT | 1 |
| 6 | 1571029 | MONEY BOX ASSEMBLY | 1 |
| 7 | - | TRAY GUIDE RAIL ASSEMBLY - R.H. (SEE FIGURE 16) | 1 |
| | 1701006 | TRAY GUIDE RAIL ASSEMBLY - L.H. (NOT SHOWN) | - |
| 8 | 4527034 | BRACKET - MOUNTING - POWER CORD - WITH NOTCH (USED WITH WEDGE OPTION) | - |
| | 1471065 | BRACKET - MOUNTING - POWER CORD - WITHOUT NOTCH (NOT SHOWN) (USED WHEN WEDGE OPTION IS NOT USED) | |

SnackVendor Model 172 - 173 Parts Manual

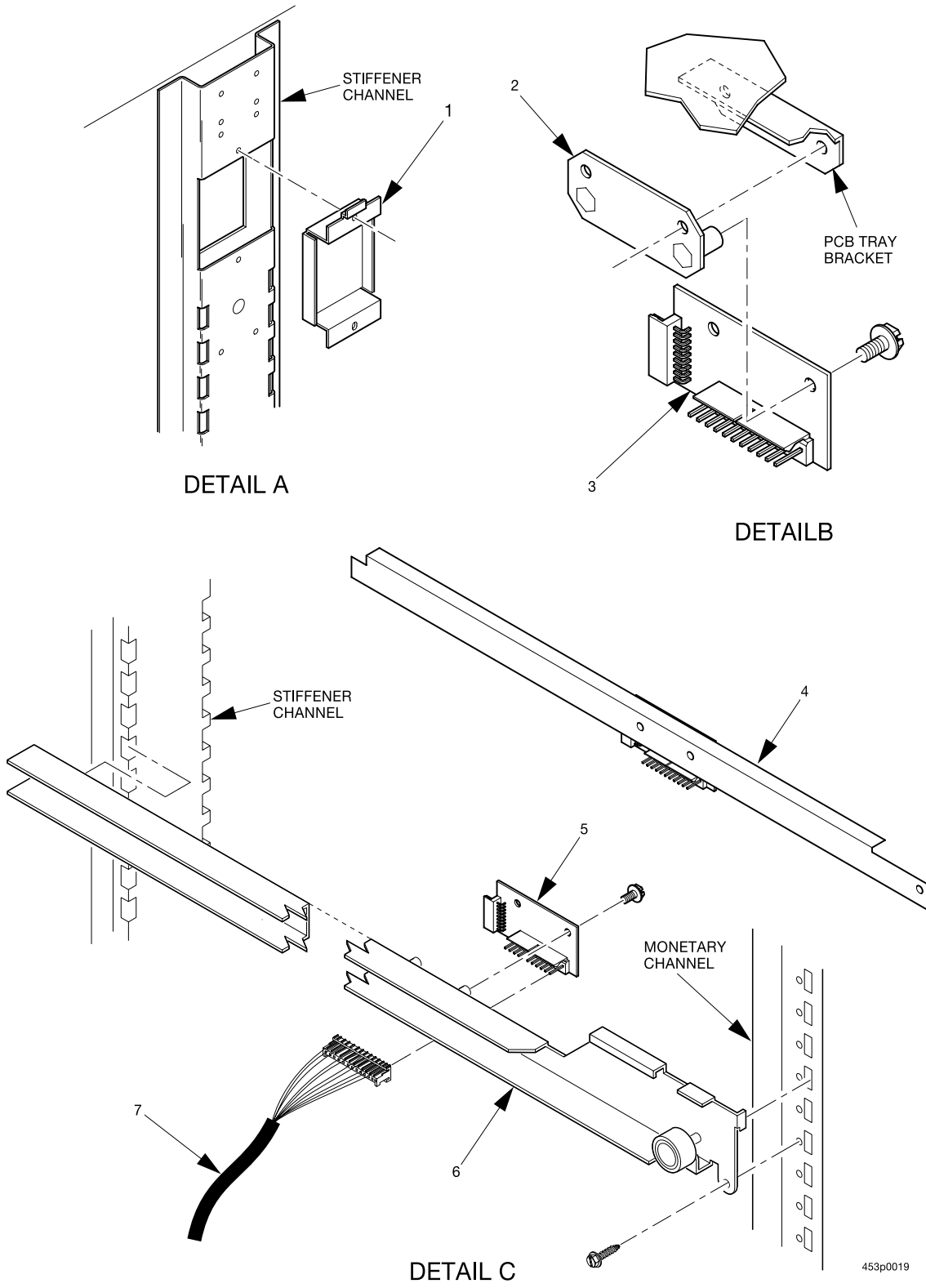


Figure 16. Cabinet Details

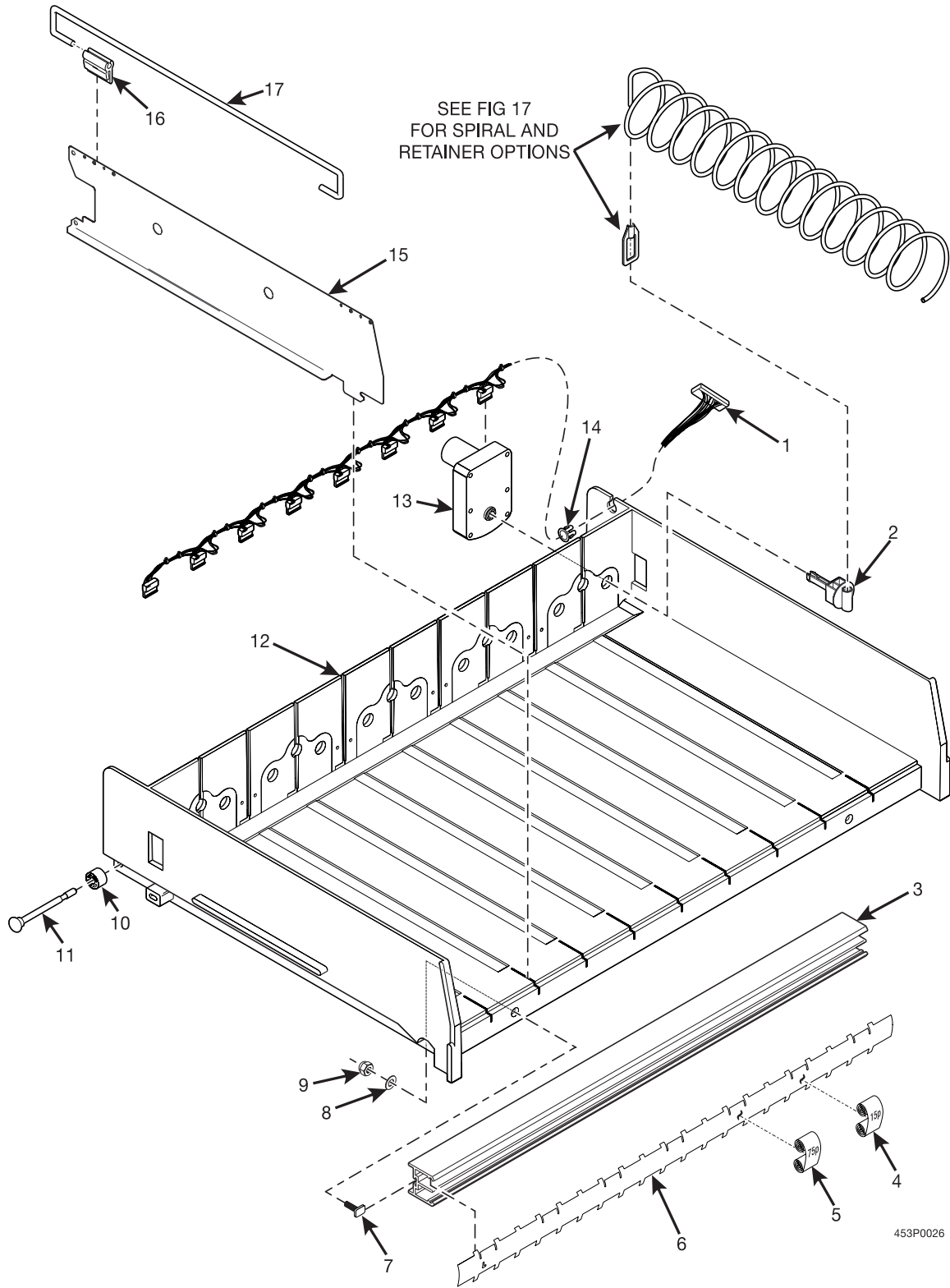
SnackVendor Model 172 - 173 Parts Manual

TABLE 16. CABINET DETAILS

| INDEX | PART NUMBER | DESCRIPTION | QTY. |
|-------|-------------|---|------|
| 1 | 1471090 | COVER - FAN HOLE | 1 |
| 2 | 1571175 | PLATE - PCB RAIL MOUNTING | - |
| 3 | 1596012 | PCB ASSEMBLY - TRAY (USED WITH TOP TRAY OR WEDGE UNIT) | - |
| 4 | 4527033 | RAIL ASSEMBLY - PCB MOUNTING | * |
| 5 | 1701009 | TRAY GUIDE RAIL/PCB ASSEMBLY - R.H. | - |
| 6 | 1701005 | TRAY GUIDE RAIL ASSEMBLY - R.H. (USED WITH BOTTOM TRAY) | - |
| 7 | 1709018 | HARNESS - TRAY EXTENSION (ACCESSORY) | OPT. |

* 1 PER WEDGE CHANNEL ASSEMBLY

Snack Vendor Model 172 - 173 Parts Manual



Snack Vendor Model 172 - 173 Parts Manual

TABLE 17. CANDY TRAY ASSEMBLY

| INDEX | PART NUMBER | DESCRIPTION | QTY. |
|-------|-------------|-------------------------------------|------|
| - | 4527001 | CANDY TRAY ASSEMBLY (172) | OPT. |
| | 4537001 | CANDY TRAY ASSEMBLY (173) | |
| 1 | 1709014 | HARNESS - 10 MOTOR TRAY - 28" (172) | 1 |
| | 1709013 | HARNESS - 8 MOTOR TRAY - 28" (173) | |
| 2 | 1477113 | COUPLING - SPIRAL | - |
| 3 | 1477134 | RAIL - PRICE & SELECTION (172) | 1 |
| | 1487009 | RAIL - PRICE & SELECTION (173) | |
| 4 | 1472274 | PRICE ROLL - UK - 1£/10£, 8P/35P | - |
| 5 | 1472273 | PRICE ROLL - UK - 1£/10£, 40P/95P | |
| 6 | 1487016 | HOLDER - PRICE SELECTION (173) | 1 |
| | 1477157 | HOLDER - PRICE SELECTION (172) | |
| 7 | 2222031 | TEE BOLT - TRIM | 3 |
| 8 | 5560113 | WASHER HOPPER RELEASE | 2 |
| 9 | 9900030 | NUT #8-32 SELF LOCKING | 3 |
| 10 | 1477148 | ROLLER - TRAY | 2 |
| 11 | 1477097 | AXLE - TRAY ROLLER | 2 |
| 12 | 1707001 | TRAY - 5/10 DIVISION (172) | 1 |
| | 1717001 | TRAY - 4/8 DIVISION (173) | |
| 13 | 1577035 | MOTOR & PCB ASSEMBLY (172) | 10 |
| | | MOTOR & PCB ASSEMBLY (173) | 8 |
| 14 | 3502097 | BUSHING #OCB-500 | 1 |
| 15 | 1707003 | WALL - TRAY (172) | 9 |
| | | WALL - TRAY (173) | 7 |
| 16 | 1707030 | MOUNT - PRODUCT RETAINER | OPT. |
| 17 | 1707063 | RETAINER - PRODUCT ADJ. - BLACK | OPT. |

Snack Vendor Model 172 - 173 Parts Manual

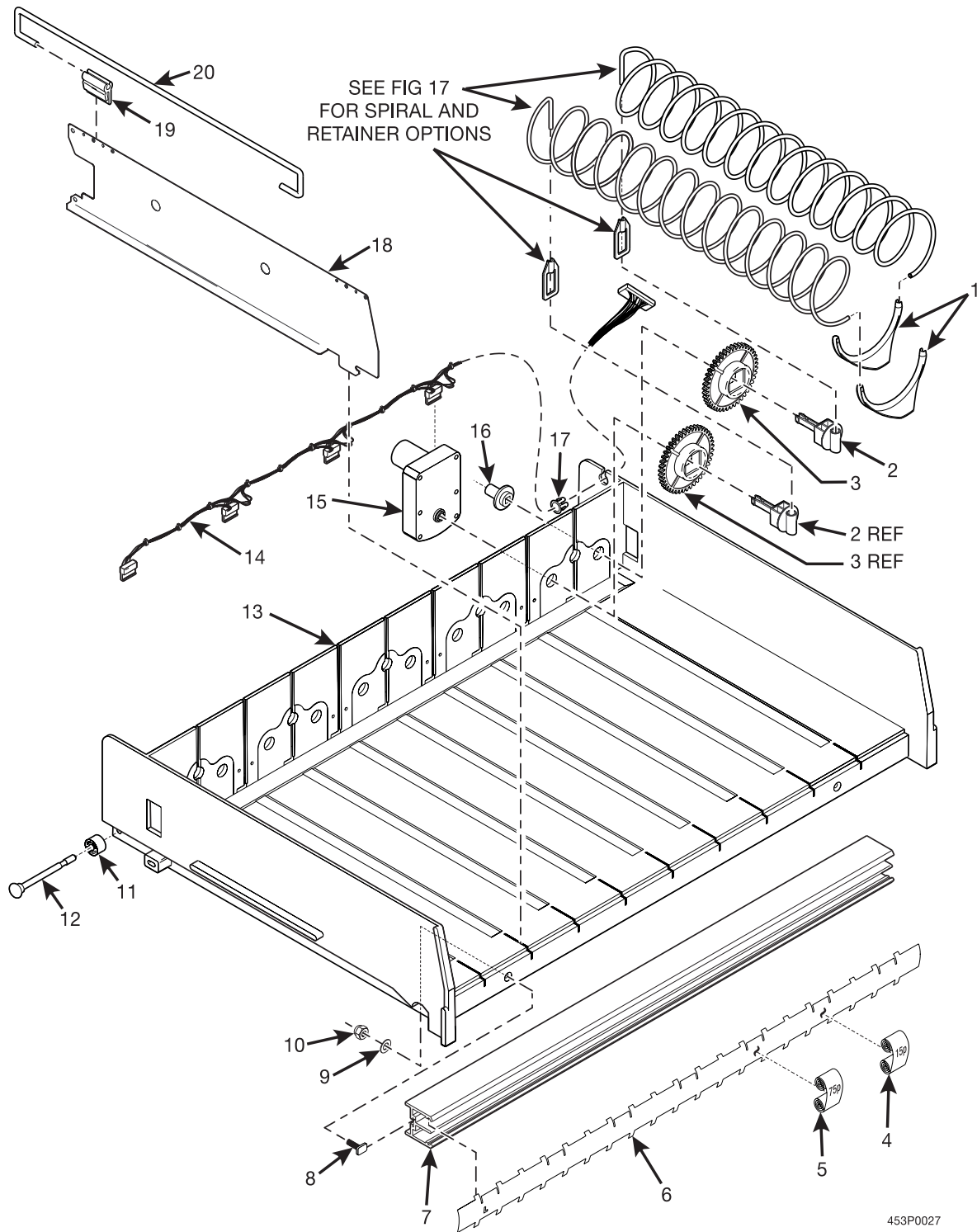


Figure 18. Snack Tray Assembly

Snack Vendor Model 172 - 173 Parts Manual

TABLE 18. SNACK TRAY ASSEMBLY

| INDEX | PART NUMBER | DESCRIPTION | QTY. |
|-------|-------------|------------------------------------|------|
| - | 4527000 | SNACK TRAY ASSEMBLY (172) | OPT. |
| | 4537000 | SNACK TRAY ASSEMBLY (173) | |
| 1 | 1477074 | PUSHER - PRODUCT | - |
| 2 | 1477113 | COUPLING - SPIRAL | - |
| 3 | 1477020 | GEAR - TRAY (172) | 10 |
| | | GEAR - TRAY (173) | 8 |
| 4 | 1472274 | PRICE ROLL - UK - 1£/10£, 8P/35P | - |
| 5 | 1472273 | PRICE ROLL - UK - 1£/10£, 40P/95P | - |
| 6 | 1477157 | HOLDER - PRICE SELECTION (173) | 1 |
| | 1487016 | HOLDER - PRICE SELECTION (172) | |
| 7 | 1477134 | RAIL - PRICE & SELECTION (172) | 1 |
| | 1487009 | RAIL - PRICE & SELECTION (173) | |
| 8 | 2222031 | TEE BOLT - TRIM (172) | 3 |
| | | TEE BOLT - TRIM (173) | 2 |
| 9 | 5560113 | WASHER - HOPPER RELEASE (172) | 3 |
| | | WASHER - HOPPER RELEASE (173) | 2 |
| 10 | 9900030 | NUT #8-32 SELF LOCKING (172) | 3 |
| | | NUT #8-32 SELF LOCKING (173) | 2 |
| 11 | 1477148 | ROLLER - TRAY | - |
| 12 | 1477097 | AXLE - TRAY ROLLER | - |
| 13 | 1707001 | TRAY - 5/10 DIVISION (172) | 1 |
| | 1717001 | TRAY - 4/8 DIVISION (173) | |
| 14 | 1709012 | HARNESS - 5 MOTOR TRAY - 28" (172) | 1 |
| | 1709011 | HARNESS - 4 MOTOR TRAY - 28" (173) | |
| 15 | 1577035 | MOTOR & PCB BOARD ASSEMBLY (172) | 5 |
| | | MOTOR & PCB BOARD ASSEMBLY (173) | 4 |
| 16 | 1477022 | BEARING - COUPLER (172) | 5 |
| | | BEARING - COUPLER (173) | 4 |
| 17 | 3502097 | BUSHING #OCB-500 | 1 |
| 18 | 1707003 | WALL - TRAY (172) | 4 |
| | | WALL - TRAY (173) | 3 |
| 19 | 1707030 | MOUNT - PRODUCT RETAINER | - |
| 20 | 1707063 | RETAINER - PRODUCT ADJ. - BLACK | - |

Snack Vendor Model 172 - 173 Parts Manual

TABLE 19. SPIRAL OPTIONS

| SPIRAL & RETAINER ASSEMBLY | SPIRAL RETAINER COLOR | SPIRAL RETAINER NUMBER | SPIRAL PART NUMBER | SPIRAL DESCRIPTION | COUNT | LEFT HAND | RIGHT HAND |
|----------------------------|-----------------------|------------------------|--------------------|--------------------|-------|-----------|------------|
| 1707004 | BLUE | 1457061 | 1707005 | 2.57 DIAMETER | 10 | | |
| 1707006 | BLUE | 1457061 | 1707007 | 2.57 DIAMETER | 10 | | |
| 1707008 | YELLOW | 1457062 | 1707009 | 2.57 DIAMETER | 12 | | |
| 1707010 | YELLOW | 1457062 | 1707011 | 2.57 DIAMETER | 12 | | |
| 1707012 | RED | 1457063 | 1707013 | 2.57 DIAMETER | 14 | | |
| 1707014 | RED | 1457063 | 1707015 | 2.57 DIAMETER | 14 | | |
| 1707016 | GRAY | 1477155 | 1707017 | 2.57 DIAMETER | 8 | | |
| 1707018 | GRAY | 1477155 | 1707019 | 2.57 DIAMETER | 8 | | |
| 1707020 | WHITE | 1457064 | 1707021 | 2.57 DIAMETER | 18 | | |
| 1707022 | WHITE | 1457064 | 1707023 | 2.57 DIAMETER | 18 | | |

TABLE 20. BAG ASSEMBLY B1720001 - SMITH'S

| PART NUMBER | DESCRIPTION | QTY |
|-------------|-----------------------------|-----|
| WD452001 | W.D.-452 AND 453 | 1 |
| 1477071 | PACKAGE ASSY-PRODUCT PUSHER | 1 |
| 1477083 | RETAINER-SPIRAL-WALL | 10 |
| 1575107 | TAG-PRICE-G&M-.25-1.55 | 1 |
| 1577047 | LABEL-ITEM LETTERS-A0-A9 | 1 |
| 1577048 | LABEL-ITEM LETTERS-B0-B9 | 1 |
| 1577049 | LABEL-ITEM LETTERS-C0-C9 | 1 |
| 1577050 | LABEL-ITEM LETTERS-D0-D9 | 1 |
| 1577051 | LABEL-ITEM LETTERS-E0-E9 KB | 1 |
| 1577052 | LABEL-ITEM LETTERS-F0-F9 KB | 1 |
| 1577053 | LABEL-ITEM LETTERS-G0-G9 | 1 |
| 1590051 | APPENDIX A-SET UP-WEDGE | |
| 1670001 | MAIN SNACK SET-UP GUIDE | 1 |
| 1670023 | SMITH'S G&M SETUP GUIDE | 1 |
| 1670024 | SNACK/RC PROGRAMMING GUIDE | 1 |
| 1672059 | TAG-PRICE-G&M-1.20/2.00 | 1 |
| 1677038 | WINDOW-FLAT | 1 |
| 1677039 | WINDOW-OFFSET | 1 |
| 9989822 | CLIP-TRAY HARNESS | 1 |

Snack Vendor Model 172 - 173 Parts Manual

TABLE 21. BAG ASSEMBLY B1720002 - U.S./CANADA

| PART NUMBER | DESCRIPTION | QTY |
|-------------|-----------------------------|-----|
| WD452001 | W.D.-452 AND 453 | 1 |
| 1477015 | ROLL-PRICE DOLLARS KB | 5 |
| 1477071 | PACKAGE ASSY-PRODUCT PUSHER | |
| 1477083 | RETAINER-SPIRAL-WALL | 10 |
| 1575107 | TAG-PRICE-G&M-.25-1.55 | 1 |
| 1577047 | LABEL-ITEM LETTERS-A0-A9 | 1 |
| 1577048 | LABEL-ITEM LETTERS-B0-B9 | 1 |
| 1577049 | LABEL-ITEM LETTERS-C0-C9 | 1 |
| 1577050 | LABEL-ITEM LETTERS-D0-D9 | 1 |
| 1577051 | LABEL-ITEM LETTERS-E0-E9 KB | 1 |
| 1577052 | LABEL-ITEM LETTERS-F0-F9 KB | 1 |
| 1577053 | LABEL-ITEM LETTERS-G0-G9 | 1 |
| 1590050 | SETUP GUIDE-MAIN-GPL SNACK | 1 |
| 9989822 | CLIP-TRAY HARNESS | |

TABLE 22. BAG ASSEMBLY B1720003 - MEXICO

| PART NUMBER | DESCRIPTION | QTY |
|-------------|------------------------------|-----|
| WD452001 | W.D.-452 AND 453 | 1 |
| 1477071 | PACKAGE ASSY-PRODUCT PUSHER | |
| 1477083 | RETAINER-SPIRAL-WALL | 10 |
| 1477123 | PRICE ROLL-0TO25-UK/GER/FR(K | 60 |
| 1575107 | TAG-PRICE-G&M-.25-1.55 | 1 |
| 1577047 | LABEL-ITEM LETTERS-A0-A9 | 1 |
| 1577048 | LABEL-ITEM LETTERS-B0-B9 | 1 |
| 1577049 | LABEL-ITEM LETTERS-C0-C9 | 1 |
| 1577050 | LABEL-ITEM LETTERS-D0-D9 | 1 |
| 1577051 | LABEL-ITEM LETTERS-E0-E9 KB | 1 |
| 1577052 | LABEL-ITEM LETTERS-F0-F9 KB | 1 |
| 1577053 | LABEL-ITEM LETTERS-G0-G9 | 1 |
| 1590050 | SETUP GUIDE-MAIN-GPL SNACK | 1 |
| 9989822 | CLIP-TRAY HARNESS | |

SnackVendor Model 172 - 173 Parts Manual

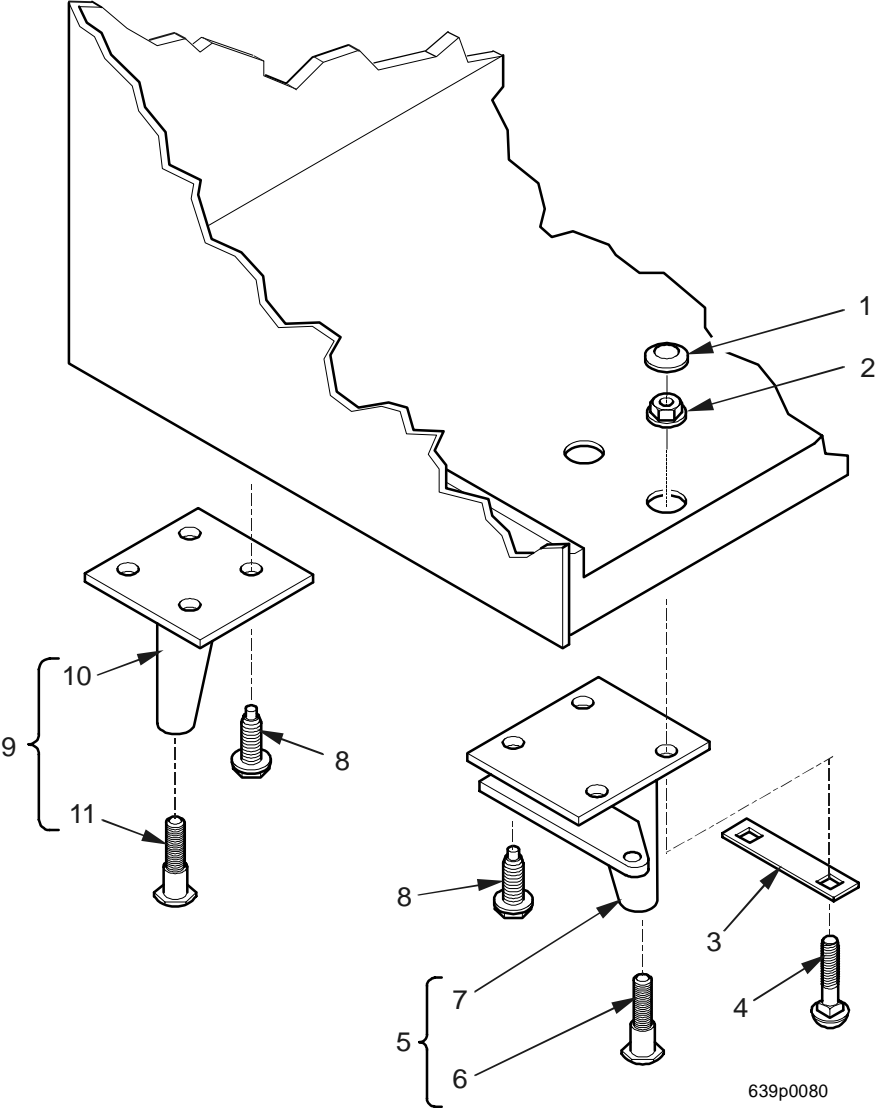


Figure 20. Leg, Leveler, and Leg and Hinge Assemblies

Snack Vendor Model 172 - 173 Parts Manual

TABLE 20. LEG, LEVELER, AND LEG AND HINGE ASSEMBLIES

| INDEX | PART NUMBER | DESCRIPTION | QTY. |
|-------|-------------|--|------|
| 1 | 6231034 | PLUG - HOLE (NOT USED IN ALL APPLICATIONS) | 2 |
| 2 | 1172021 | NUT - 1/4-20 WHIZ-LOCK | 2 |
| 3 | 6231203 | PLATE - HINGE LEG BOLT | 1 |
| 4 | 1211112 | TRAY BOLT | 2 |
| 5 | 6231163 | LEG, HINGE, AND LEVELER ASSEMBLY | 1 |
| 6 | 1471098 | LEVELER - CABINET | 1 |
| 7 | 1571115 | LEG AND HINGE ASSEMBLY | 1 |
| 8 | 9900218 | SCREW - # 5/16 X 1 W/LOCKING RING | 14 |
| 9 | 1471237 | LEG AND LEVELER ASSEMBLY - CABINET | 3 |
| 10 | 1571127 | LEG ASSEMBLY - CABINET | 1 |
| 11 | 1471098 | LEVELER - CABINET | 1 |

SnackVendor Model 172 - 173 Parts Manual

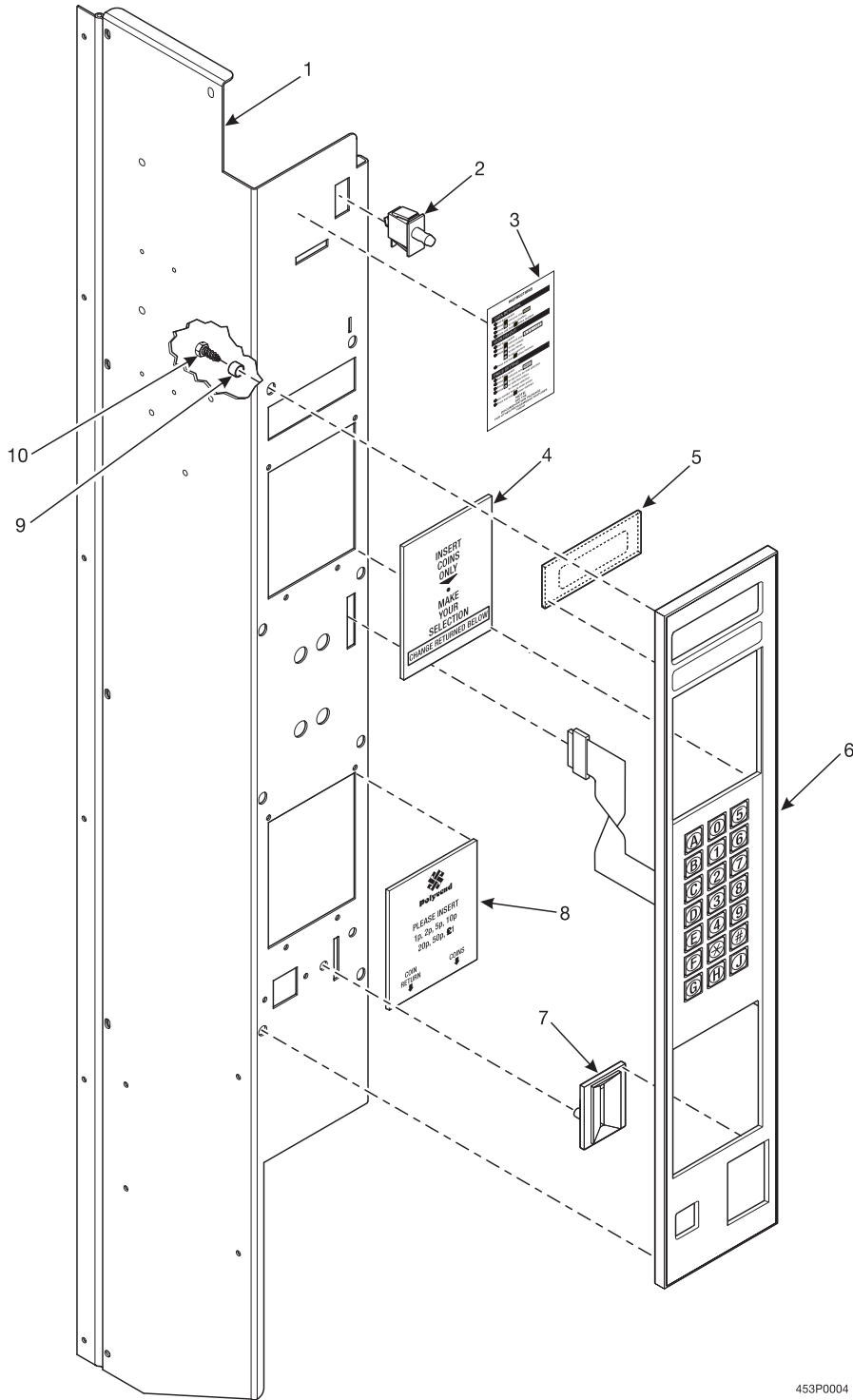


Figure 21. Monetary Panel Assembly (Part 1 of 2)

Snack Vendor Model 172 - 173 Parts Manual

TABLE 21. MONETARY PANEL ASSEMBLY (PART 1 OF 2)

| INDEX | PART NUMBER | DESCRIPTION | QTY. |
|-------|-------------|--|------|
| 1 | 1570094 | PANEL WELD ASSEMBLY - MONETARY | 1 |
| 2 | 9989594 | SWITCH - PUSH/PULL - PANEL MOUNTED | 1 |
| | 1401110 | SWITCH (SMITH'S ONLY) | |
| 3 | 1590033 | LABEL - INSTR. - DATA PRICE - PAYOUT ENGLISH USA | 1 |
| | 1590036 | LABEL - INSTR - DATA/PAYOUT/PR.SET (SMITH'S ONLY) | |
| 4 | 1575013 | INSERT - INSTR - COINS ONLY ENGLISH | 1 |
| 5 | 1595014 | LENS - DISPLAY - GPL | 1 |
| 6 | 4525010 | FACEPLATE ASSEMBLY - POLYVEND (SEE FIGURE 23) | 1 |
| | 4525011 | FACEPLATE ASSEMBLY - PROVEND (SEE FIGURE 23) | |
| | 1595018 | FACEPLATE ASSEMBLY - GPL - SMITH'S (SEE FIGURE 23) | |
| 7 | 1472223 | COIN INSERT | 1 |
| | 1672001 | COIN INSERT - AUSTRALIA (SMITH'S ONLY) | |
| 8 | 4525006 | INSERT - COIN - 1P/ 1 PND - POLYVEND | 1 |
| | 1725001 | INSERT - INST - COIN 1/5/20/50 | |
| 9 | 2302053 | SPACER CUP | - |
| 10 | 1437204 | SCREW - #8-10 X .38 HEX HD. TF | - |

Snack Vendor Model 172 - 173 Parts Manual

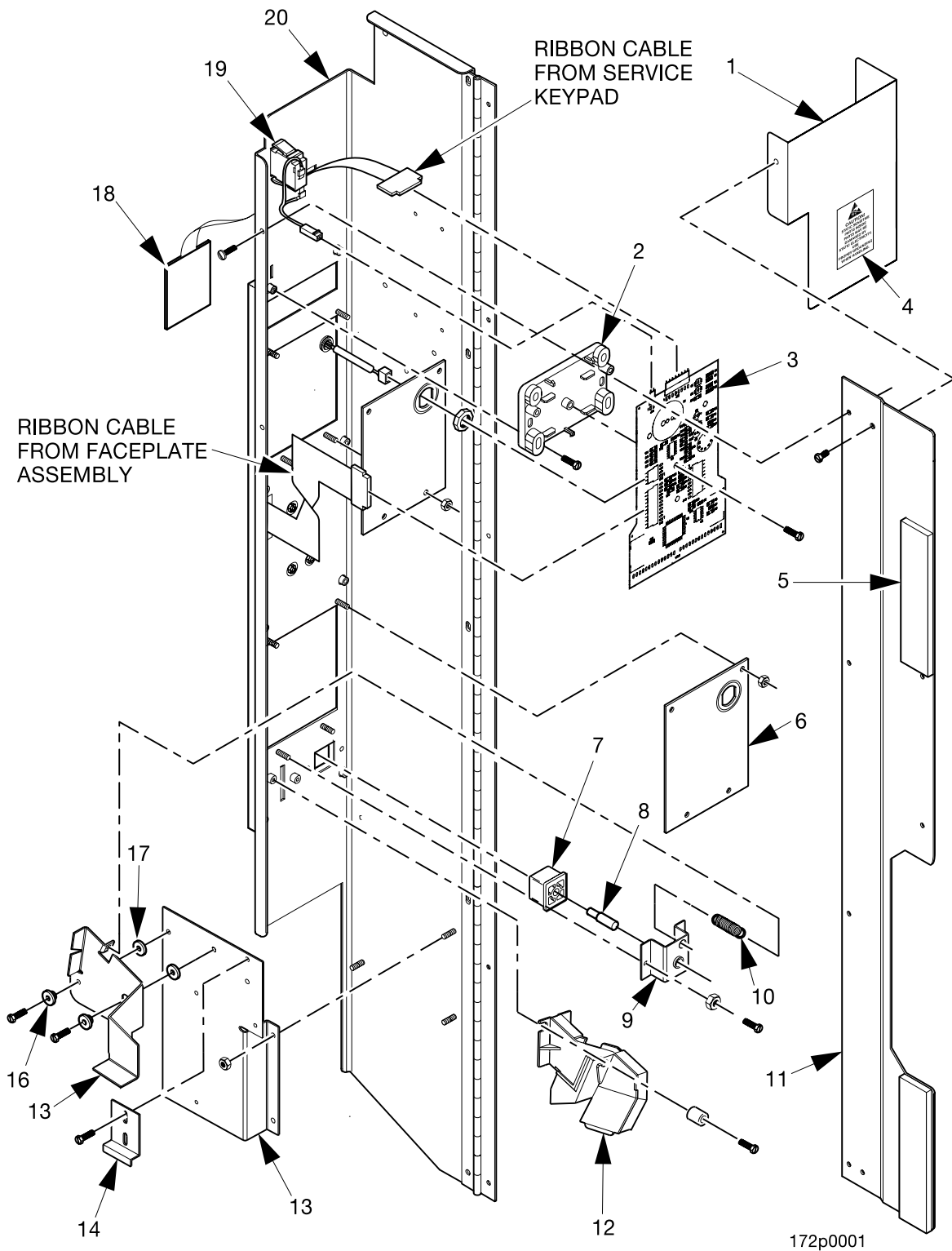


Figure 22. Monetary Panel Assembly (Part 2 of 2)

Snack Vendor Model 172 - 173 Parts Manual

TABLE 22. MONETARY PANEL ASSEMBLY (PART 2 OF 2)

| INDEX | PART NUMBER | DESCRIPTION | QTY. |
|-------|-------------|--|------|
| 1 | 1575029 | COVER - DISPLAY | - |
| 2 | 1475099 | BRACKET - PCB DISPLAY | - |
| 3 | 9989685 | PCB ASSEMBLY - DISPLAY | - |
| 4 | 1571154 | LABEL - CAUTION - STATIC/ELECT. | 1 |
| 5 | 3122056 | MAGNET RETAINER - COIN CHANGER | 1 |
| 6 | 1575048 | PLATE - INSERT BACKING | OPT. |
| 7 | 1127808 | SPRING - SHELF - RESET | 1 |
| 8 | 1575057 | PLATE - MAGNET MOUNTING | 1 |
| 9 | 1571079 | BRACKET - COIN RETURN BUTTON | 1 |
| 10 | 1475072 | SHAFT - RETURN BUTTON | 1 |
| 11 | 1475026 | BUTTON - COIN RETURN | 1 |
| 12 | 1575003 | COIN CHUTE ASSEMBLY | 1 |
| 13 | 1571078 | BRACKET - COIN MECHANISM | OPT. |
| | 1571081 | BRACKET ASSEMBLY - COIN MECH (SMITH'S ONLY) | |
| 14 | 6231037 | CLAMP - CABLE | 1 |
| 15 | 1571113 | ARM - SCAVENGER | 1 |
| 16 | 2228011 | SPACER RELEASE ARM | 1 |
| 17 | 2204093 | WASHER SCAVENGER BAR | 2 |
| 18 | 6335002X | SERVICE KEYPAD ASSEMBLY (SMITH'S ONLY) | 1 |
| 19 | 9989594 | SWITCH - PUSH/PULL - PANEL MOUNTED | 1 |
| 20 | 1575094 | PANEL - WELD ASSEMBLY - MONETARY | 1 |
| - | 1679054 | HARNESS - "MDB" COIN & VAL (SMITH'S ONLY - NOT SHOWN) | 1 |
| - | 2342315 | CLIP - WIRE HARNESS (SMITH'S ONLY - NOT SHOWN) | 1 |
| - | 9989750 | HARNESS - 24 VAC PCB & COIN POWER (SMITH'S ONLY - NOT SHOWN) | 1 |

SnackVendor Model 172 - 173 Parts Manual

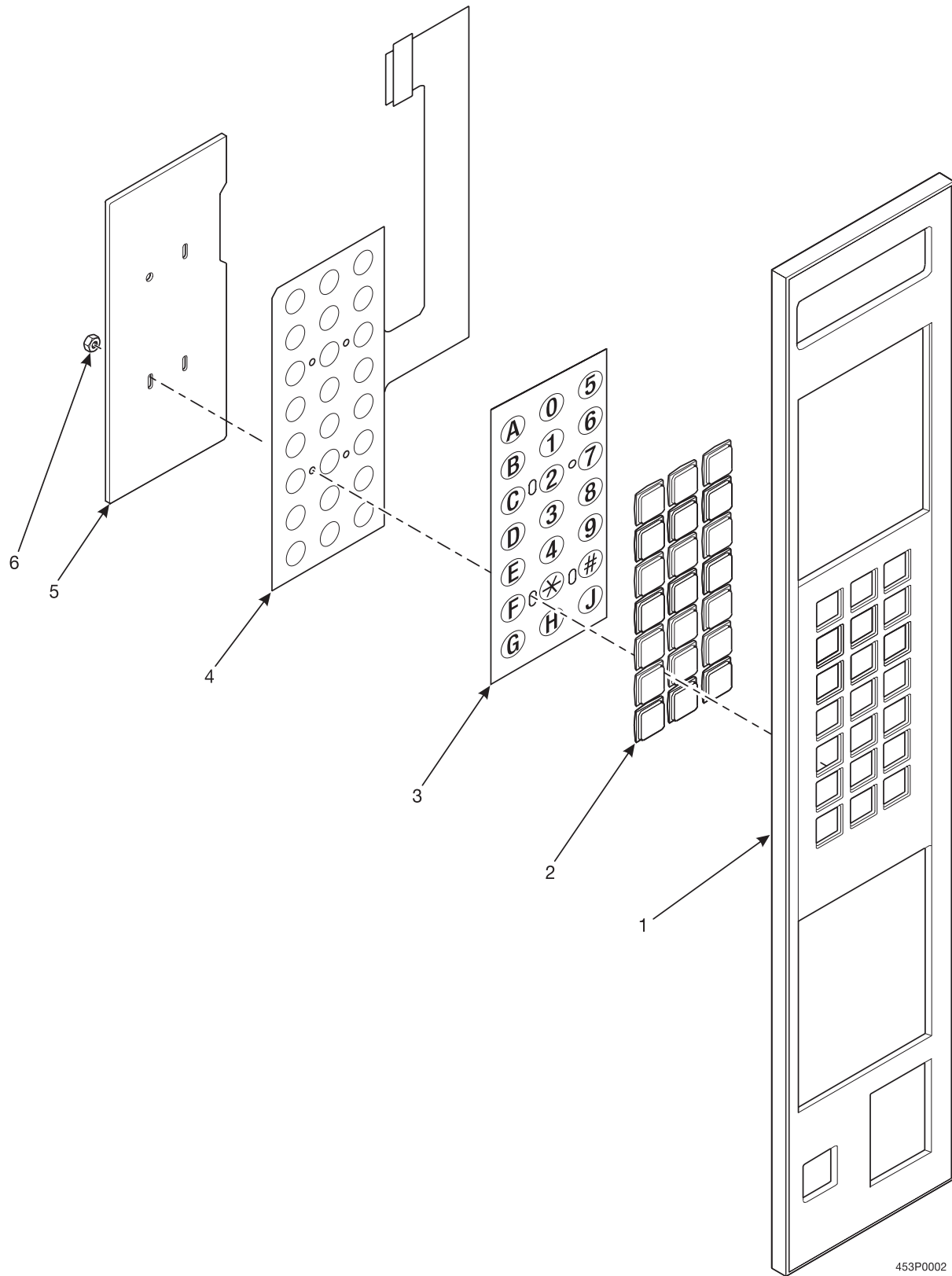


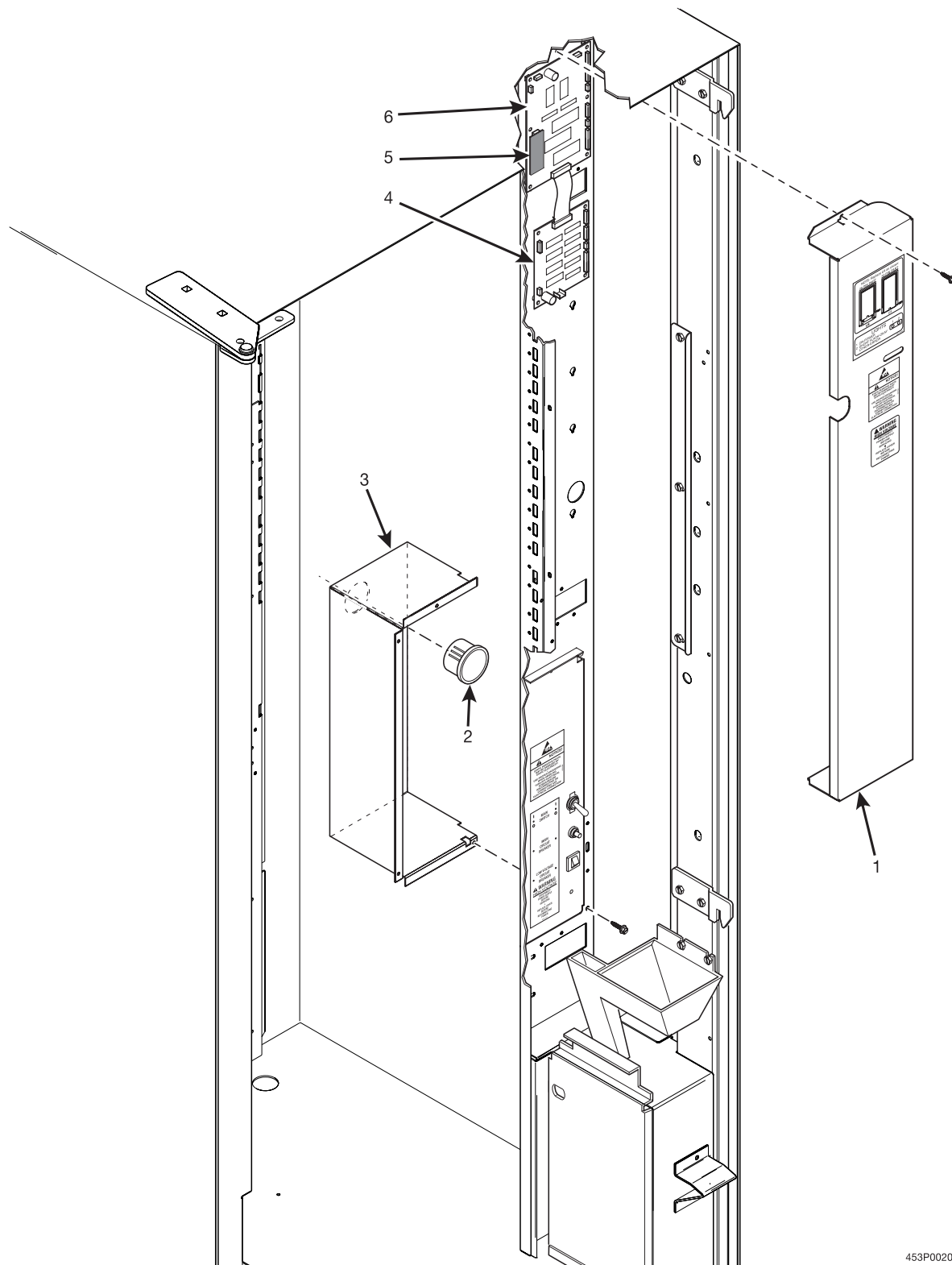
Figure 23. Face Plate Assembly

Snack Vendor Model 172 - 173 Parts Manual

TABLE 23. FACE PLATE ASSEMBLY

| INDEX | PART NUMBER | DESCRIPTION | QTY. |
|-------|-------------|---|------|
| - | 4525010 | FACEPLATE ASSEMBLY - POLYVEND | 1 |
| | 4525011 | FACEPLATE - PROVEND | |
| | 1595018 | FACEPLATE ASSEMBLY - GPL - SMITH'S | |
| 1 | 4525002 | FACEPLATE - MONETARY PANEL - POLYVEND | 1 |
| | 1595013 | FRAME - MONETARY PANEL - GPL (SMITH'S ONLY) | |
| 2 | 1472251 | LENS - PUSH BUTTON | 21 |
| 3 | 1595002 | LETTER SHEET - SELECTION SWITCH - POLYVEND | 1 |
| | 4525004 | LETTER SHEET - PROVEND - YELLOW | |
| | 1575010 | LETTER SHEET - SELECT SWITCH (SMITH'S ONLY - NOT SHOWN) | |
| 4 | 9984630 | MEMBRANE SWITCH ASSEMBLY - SELECT | 1 |
| 5 | 1575091 | PLATE - SELECT SWITCH - BACKUP - W/STUD | 1 |
| 6 | 1475089 | 1/8" NUT - SELF-THREADING | 4 |

SnackVendor Model 172 - 173 Parts Manual



453P0020

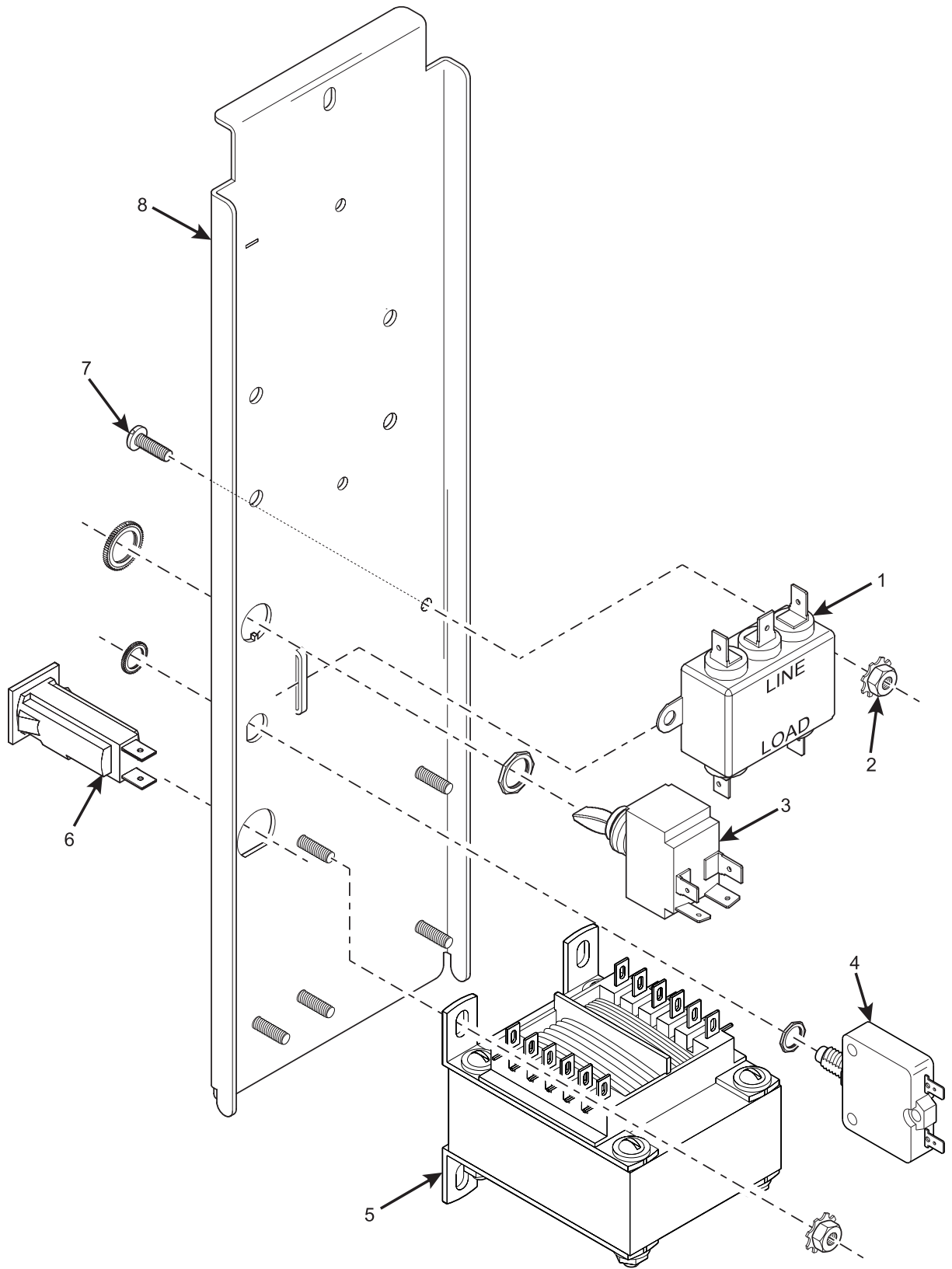
Figure 24. Controller Interface PCB and Power Panel Housing

Snack Vendor Model 172 - 173 Parts Manual

TABLE 24. CONTROLLER INTERFACE PCB AND POWER PANEL HOUSING

| INDEX | PART NUMBER | DESCRIPTION | QTY. |
|-------|-------------|---|------|
| 1 | 1571112 | COVER - CONT./ INTERFACE PCB | 1 |
| 2 | 6106021 | BUSHING #SB1500-21 | 1 |
| 3 | 1571193 | HOUSING - POWER PANEL | 1 |
| 4 | 1576008 | PCB ASSEMBLY - SNACK INTERFACE | 1 |
| 5 | 9989687 | PCB ASSEMBLY - EXECUTIVE INTERFACE | 1 |
| 6 | 1606005 | MAIN CONTROLLER PCB WITH EPROM | 1 |
| | 1586017 | MAIN CONTROLLER PCB WITH EPROM (SMITH'S ONLY) | |
| - | 9989755 | PCB ASSEMBLY - MAIN CONTROLLER | 1 |
| - | SEE LABEL | IC ASSEMBLY | 1 |

Snack Vendor Model 172 - 173 Parts Manual



170P0036

Figure 25. Power Panel Assembly

Snack Vendor Model 172 - 173 Parts Manual

TABLE 25. POWER PANEL ASSEMBLY

| INDEX | PART NUMBER | DESCRIPTION | QTY |
|-------|-------------|--|-----|
| - | 1701015 | POWER PANEL ASSEMBLY - DOMESTIC | - |
| 1 | 9989100 | INTERFERENCE FILTER | 1 |
| 2 | 9900081 | NUT - #8-32 KEPS ZINC PLATE | 6 |
| 3 | 9984629 | SWITCH - TOGGLE - DPST - 20 AMP | 1 |
| 4 | 9989672 | BREAKER - 15 AMP | 1 |
| 5 | 9989046 | 24 V TRANSFORMER - DUAL PRI. - .187 TERM | 1 |
| 6 | 9989674 | CIRCUIT BREAKER - 4 AMP | 1 |
| 7 | 1211110 | 8-32 X 1/4 RHS MACH SCREW - Z.P. | 6 |
| 8 | 1701025 | PLATE - HOUSING - PANEL | 1 |

Snack Vendor Model 172 - 173 Parts Manual

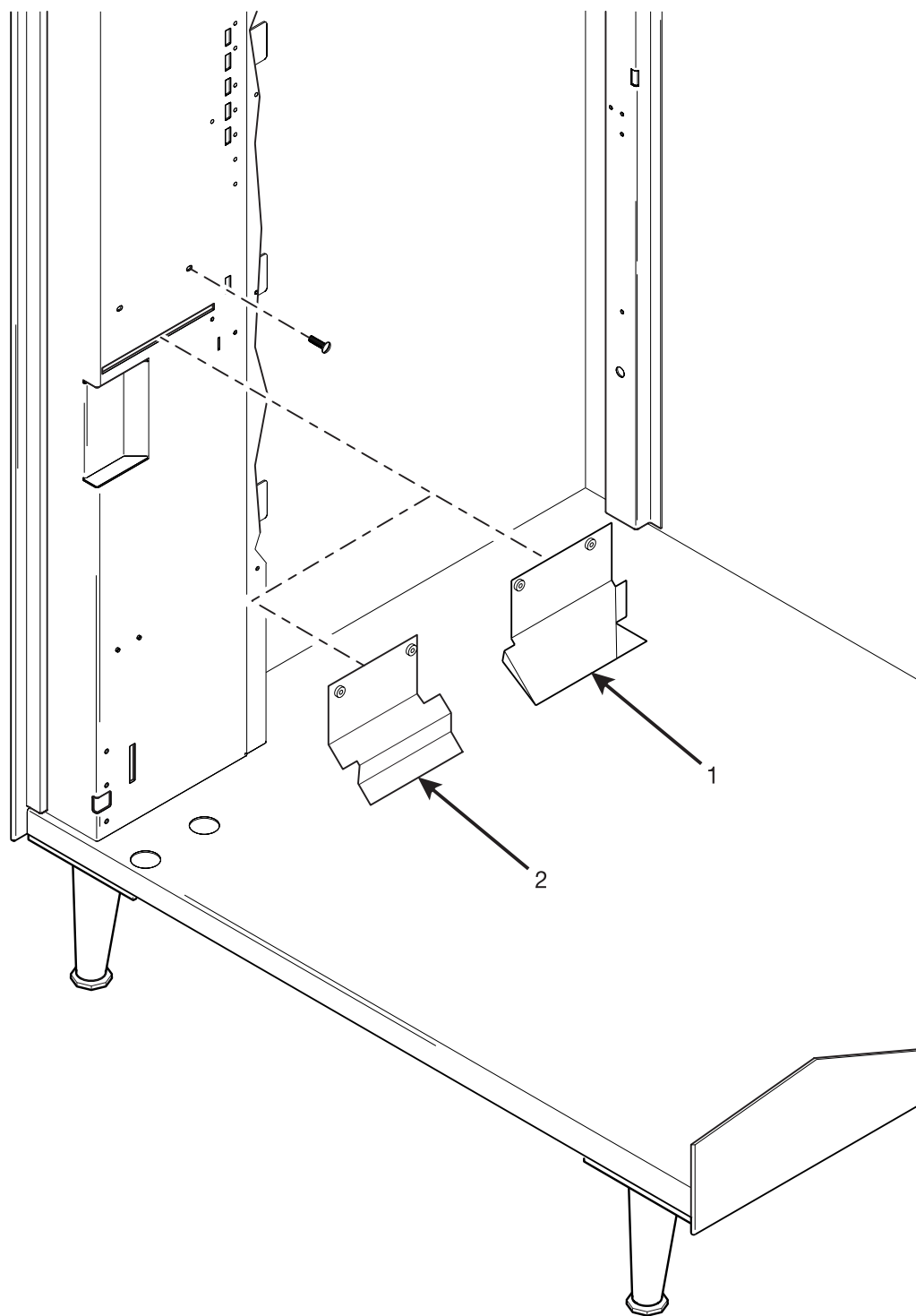


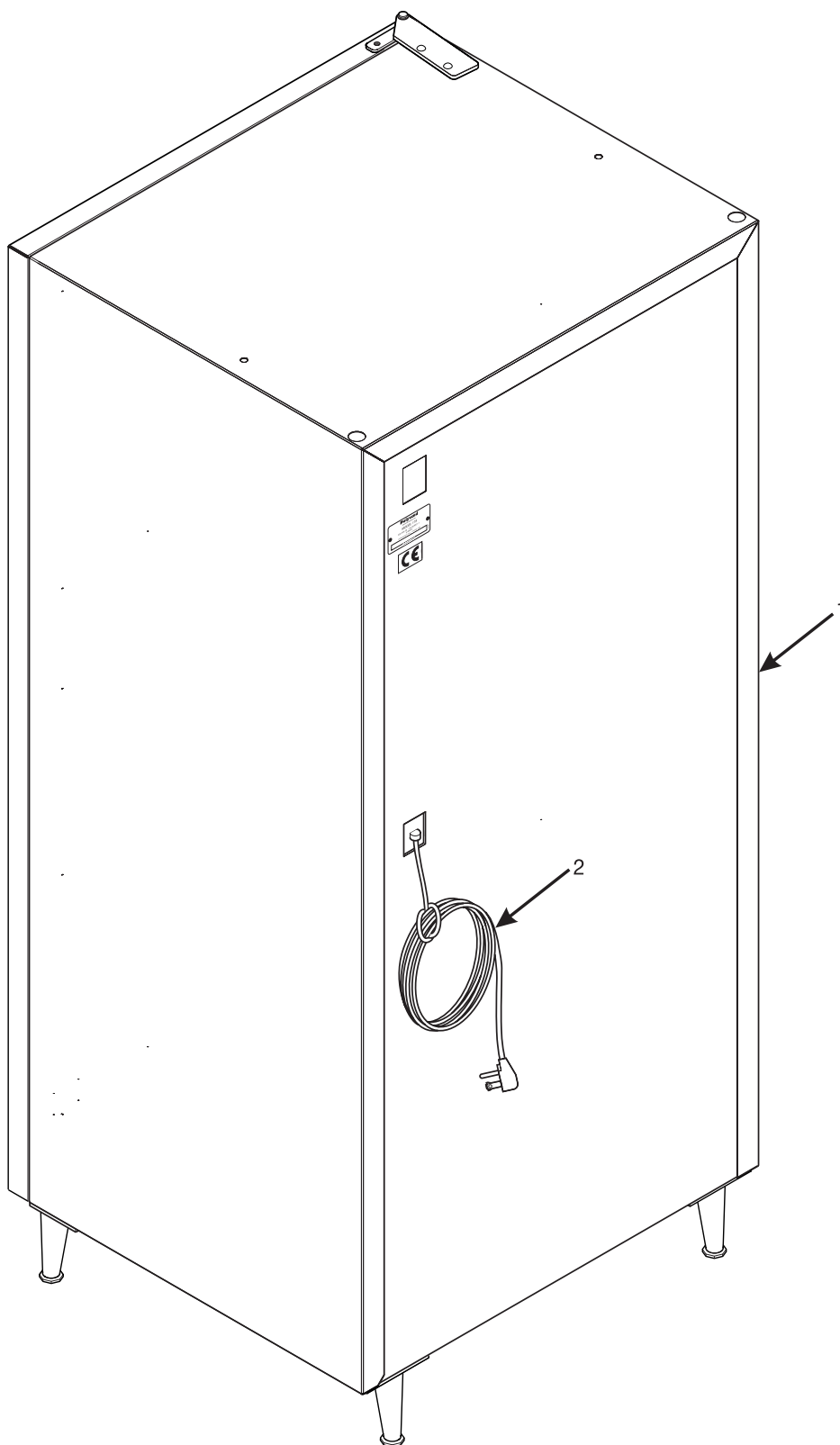
Figure 26. Deflector Assemblies

Snack Vendor Model 172 - 173 Parts Manual

TABLE 26. DEFLECTOR ASEMBLIES

| INDEX | PART NUMBER | DESCRIPTION | QTY. |
|--------------|--------------------|--|-------------|
| 1 | 1581039 | DEFLECTOR ASSEMBLY - SMALL SNACK (173) | 1 |
| 2 | 1571123 | DEFLECTOR ASSEMBLY - SMALL SNACK (172) | 1 |

Snack Vendor Model 172 - 173 Parts Manual



BACK OF CABINET SHOWN
Figure 27. Cabinet Back Miscellaneous

172P0006

SnackVendor Model 172 - 173 Parts Manual

TABLE 27. CABINET BACK MISCELLANEOUS

| INDEX | PART NUMBER | DESCRIPTION | QTY |
|--------------|--------------------|-----------------------------------|------------|
| 1 | 1721003 | CABINET ASSEMBLY - NU WHITE (172) | 1 |
| | 1731003 | CABINET ASSEMBLY - NU WHITE (173) | |
| 2 | 9989576 | POWER CORD - W/BSI PLUG | 1 |

SnackVendor Model 172 - 173 Parts Manual

TABLE 28. ACCESSORIES (BASE PLATE ASSEMBLY)

| INDEX | PART NUMBER | DESCRIPTION | QTY. |
|-------|-------------|---------------------------|------|
| - | - | BASE PLATE ASSEMBLY | - |
| 1 | 1411194 | SLIDE - BASE PLATE R.H. | 1 |
| 2 | 9900098 | COTTER PIN 3/32 X 3/4 IN. | 2 |
| 3 | 1581023 | BASE PLATE ASSEMBLY | 1 |
| 4 | 1411195 | SLIDE - BASE PLATE L.H. | 1 |
| 5 | 6231087 | BRACKET - BASE PLATE | 2 |

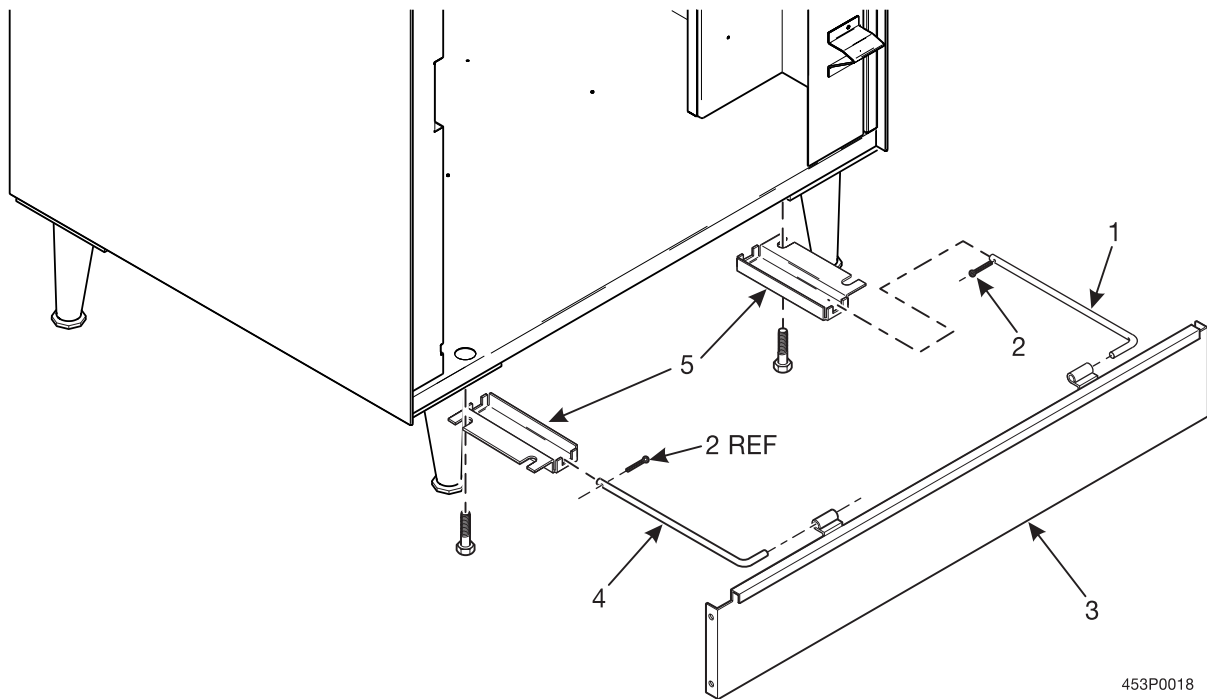


Figure 28. Accessories (Base Plate Assembly)

SnackVendor Model 172 - 173 Parts Manual

TABLE 29. ACCESSORIES (DOOR LOCK GUARD)

| INDEX | PART NUMBER | DESCRIPTION | QTY. |
|-------|-------------|-----------------------------|------|
| - | - | DOOR LOCK GUARD | - |
| 1 | 2222031 | TEE BOLT - TRIM | 4 |
| 2 | 1572186 | GUARD - LOCK - COMMON | 1 |
| 3 | 9900081 | NUT - #8-32 KEPS ZINC PLATE | 4 |

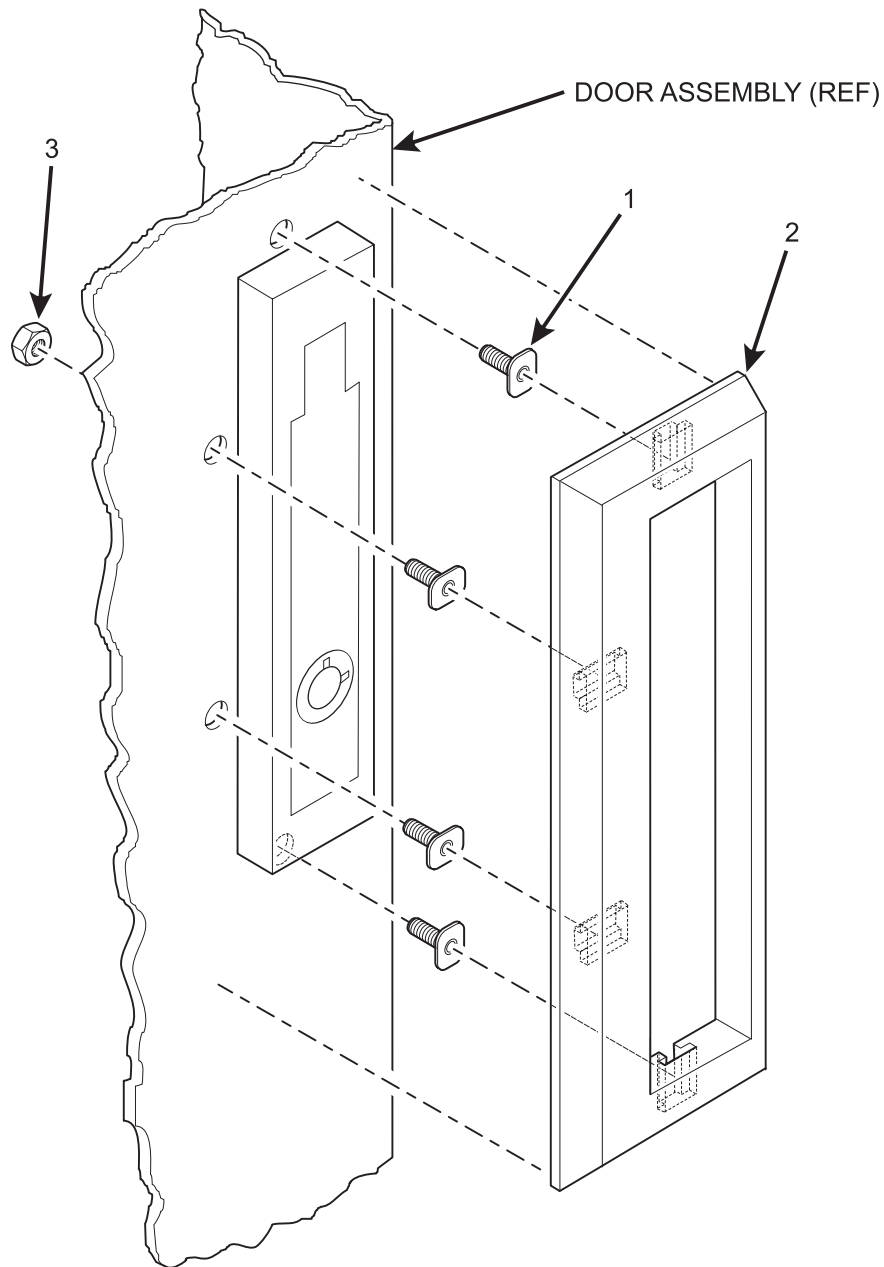


Figure 29. Accessories (Door Lock Guard)

SnackVendor Model 172 - 173 Parts Manual

TABLE 30. ACCESSORIES (MONEY BOX LOCK)

| INDEX | PART NUMBER | DESCRIPTION | QTY. |
|-------|-------------|------------------------------|------|
| - | - | MONEY BOX LOCK | - |
| 1 | 4521035 | KEY - MSU - 48, #352-48 | 1 |
| 2 | 4521033 | BARREL & TUMBLER ASSEMBLY | 1 |
| 3 | 2222604 | WASHER - LOCK BARREL - #2693 | 1 |
| 4 | 1571024 | MONEY BOX ASSEMBLY | REF. |
| 5 | 2222603 | NUT - LOCK RETAINING | 1 |
| 6 | 4521034 | CAM | 1 |

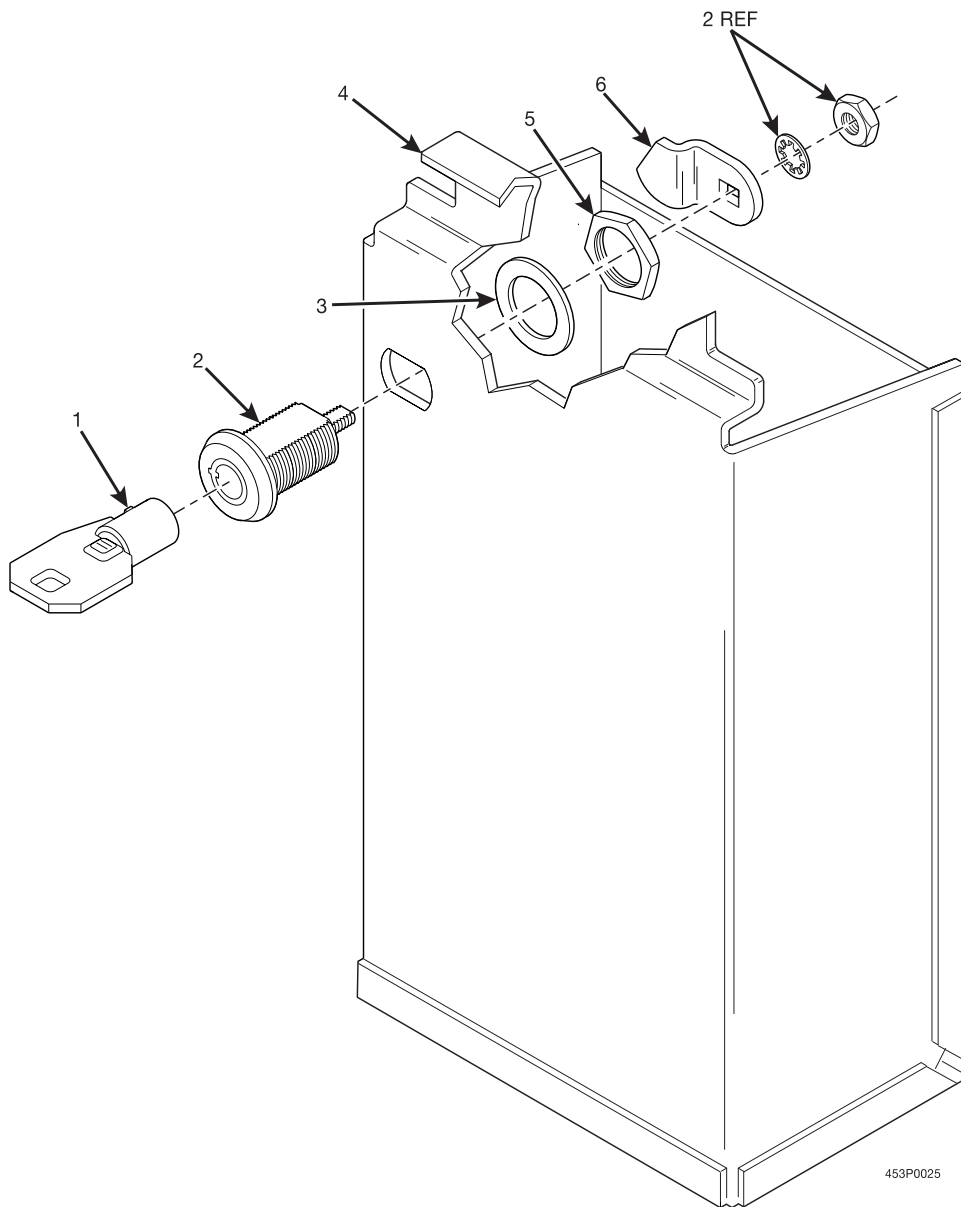
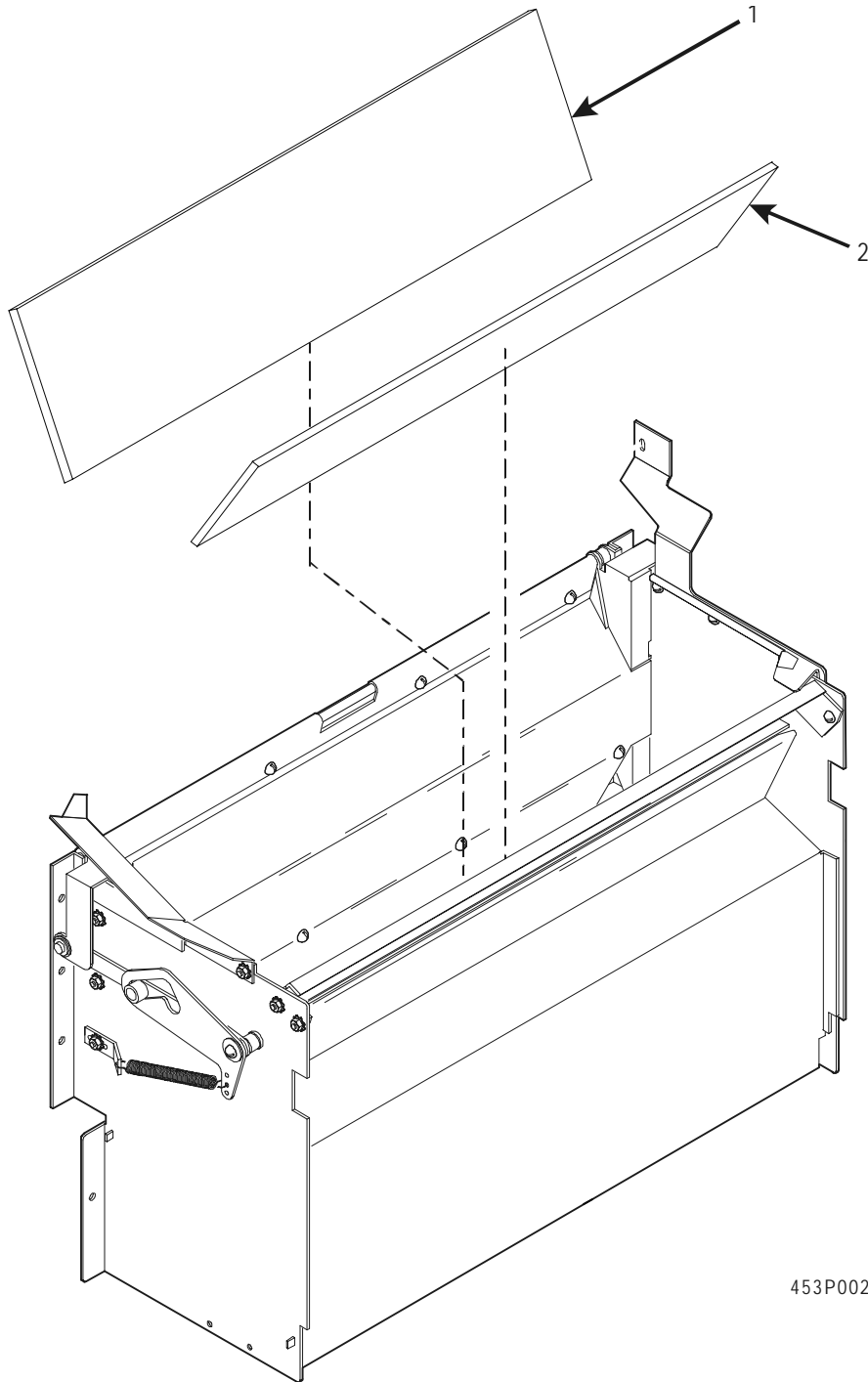


Figure 30. Accessories (Money Box Lock)

Snack Vendor Model 172 - 173 Parts Manual

TABLE 31. ACCESSORIES (DELIVERY PAN PAD)

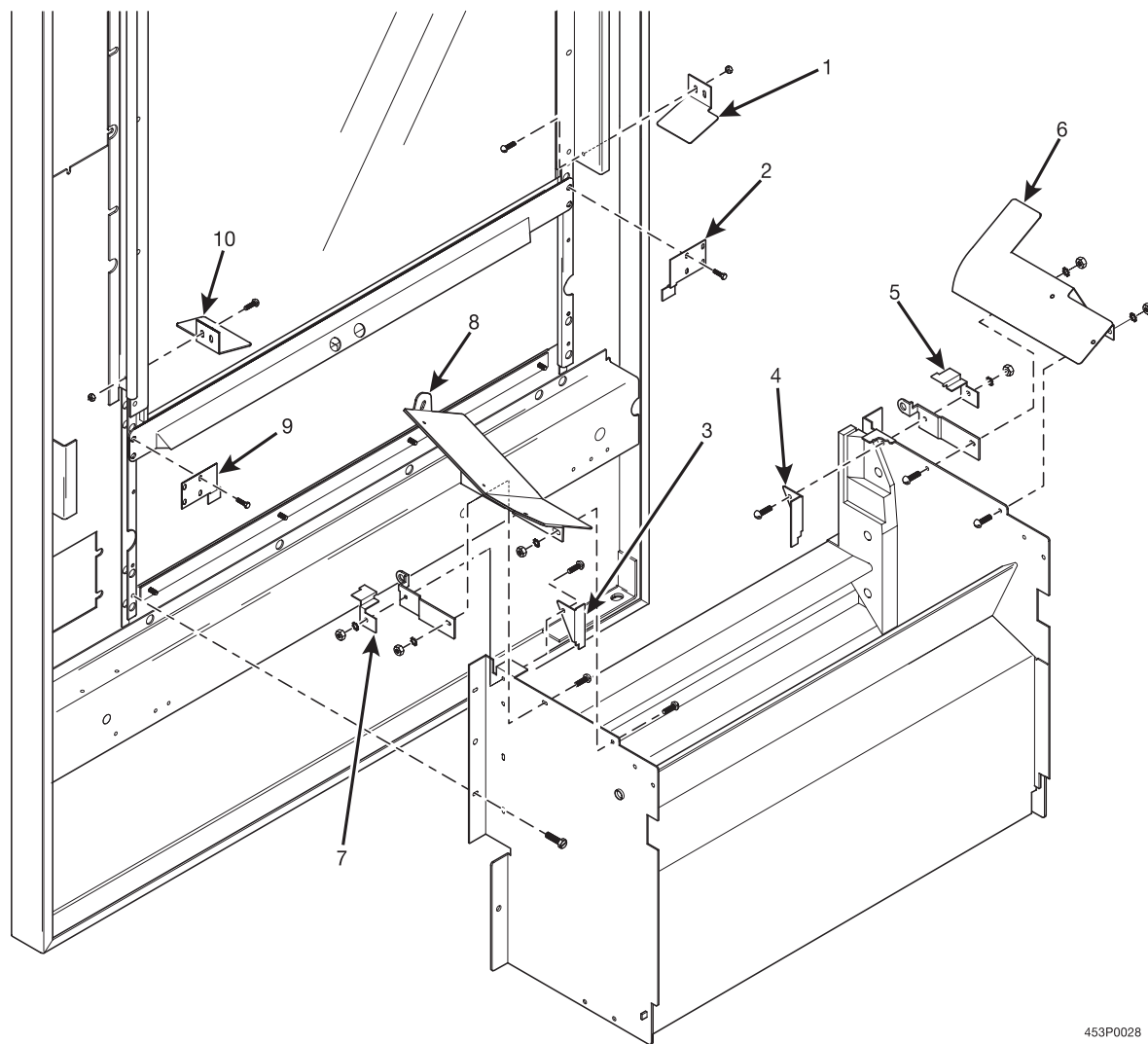
| INDEX | PART NUMBER | DESCRIPTION | QTY. |
|-------|-------------|----------------------------|------|
| - | - | DELIVERY PAN PAD ACCESSORY | - |
| 1 | 4842020 | PAD-BACK-DELIVERY PAN | 1 |
| 2 | 4842021 | PAD-FRONT-DELIVERY PAN | 1 |



453P0024

Figure 31. Accessories (Delivery Pan Pad)

SnackVendor Model 172 - 173 Parts Manual



453P0028

Figure 32. Accessories (Wire Block Kit)

SnackVendor Model 172 - 173 Parts Manual

TABLE 32. ACCESSORIES (WIRE BLOCK KIT)

| INDEX | PART NUMBER | DESCRIPTION | QTY. |
|--------------|--------------------|----------------------------------|-------------|
| - | 1572271 | WIRE BLOCK KIT - LARGE VEND DOOR | - |
| 1 | 1582108 | DEFLECTOR - L.H. SMALL SNACK | 1 |
| 2 | 1572088 | BLOCK - DOOR - L.H. | 1 |
| 3 | 1572091 | BLOCK - R.H. - DELIVERY DOOR | 1 |
| 4 | 1572092 | BLOCK - WIRE - L.H. | 1 |
| 5 | 1572090 | BLOCK - L.H. - DELIVERY DOOR | 1 |
| 6 | 1572095 | DEFLECTOR ASSEMBLY - L.H. | 1 |
| 7 | 1572093 | BLOCK - WIRE - R.H. | 1 |
| 8 | 1572098 | DEFLECTOR ASSEMBLY - R.H. | 1 |
| 9 | 1572089 | BLOCK - DOOR - R.H. | 1 |
| 10 | 1572270 | DEFLECTOR - L.H. - LARGE SNACK | 1 |

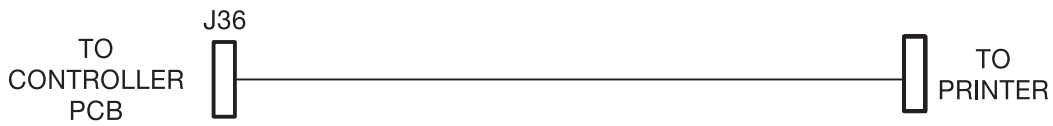
SnackVendor Model 172 - 173 Parts Manual

TABLE 33. ACCESSORIES (DATA PRINTER INTERFACE)

| INDEX | PART NUMBER | DESCRIPTION | QTY. |
|-------|-------------|----------------------------------|------|
| - | 6330749 | DATA PRINTER INTERFACE | - |
| - | 1579018 | HARNESS - DATA PRINTER INTERFACE | 1 |
| - | 9984516 | MODULAR ADAPTER - FEMALE | 1 |

1579018

RS232 PRINTER INTERFACE HARNESS



9984516

FEMALE MODULAR ADAPTER

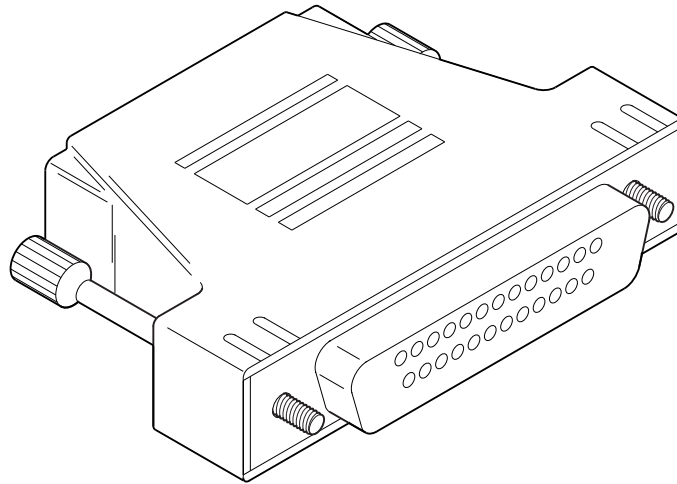


Figure 33. Accessories (Data Printer Interface)

SnackVendor Model 172 - 173 Parts Manual

1709017 TRAY EXTENSION HARNESS

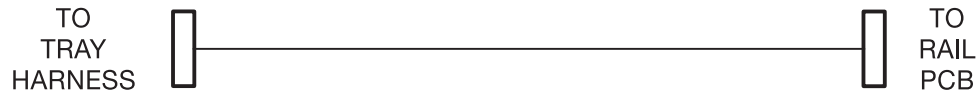


Figure 34. Accessories (Tray Extension Harness)

1579019 DEX PRINTER INTERFACE HARNESS



Figure 35. Accessories (DEX Printer Interface Harness)

SnackVendor Model 172 - 173 Parts Manual

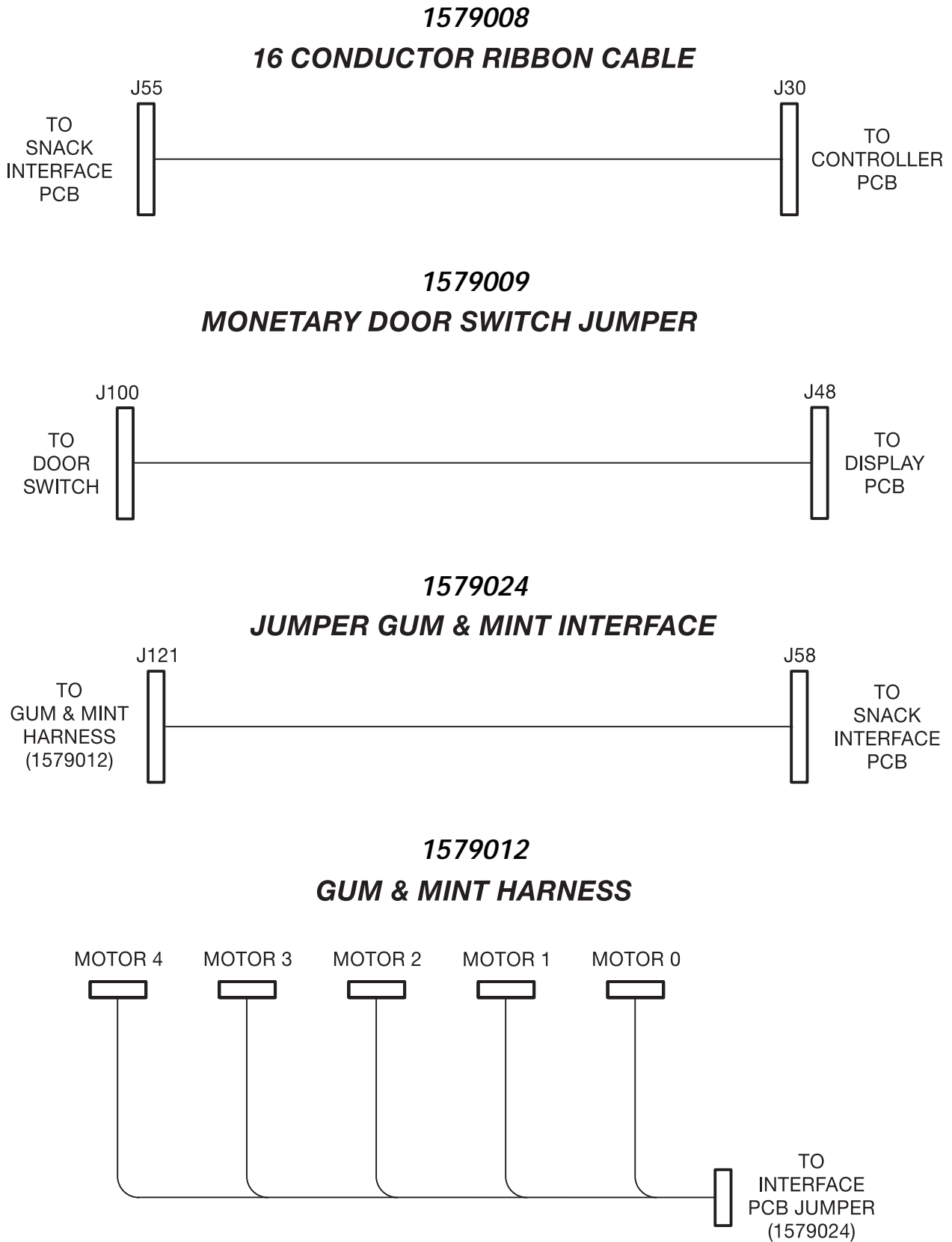


Figure 36. Wiring Harnesses (Part 1 of 7)

SnackVendor Model 172 - 173 Parts Manual

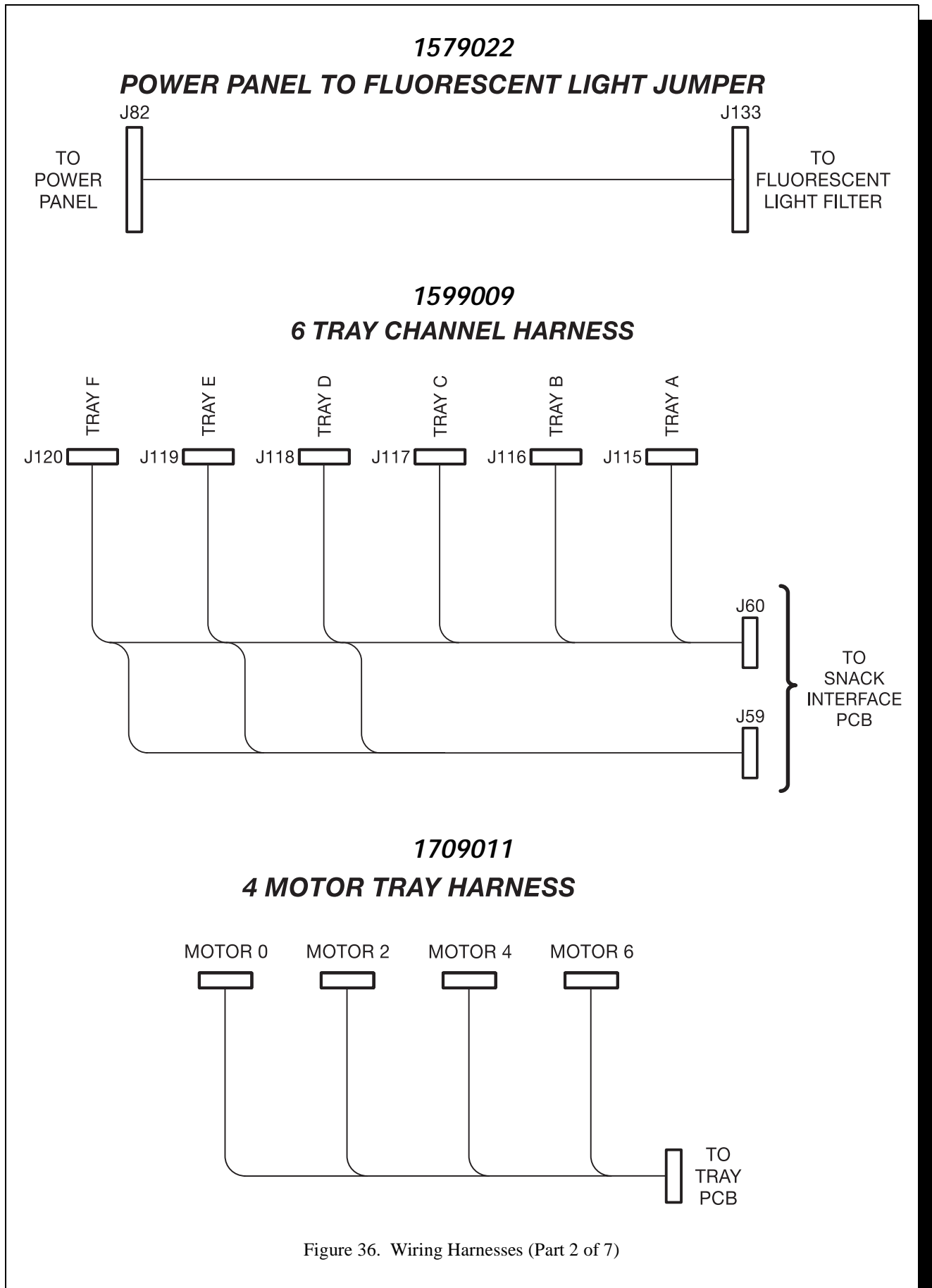
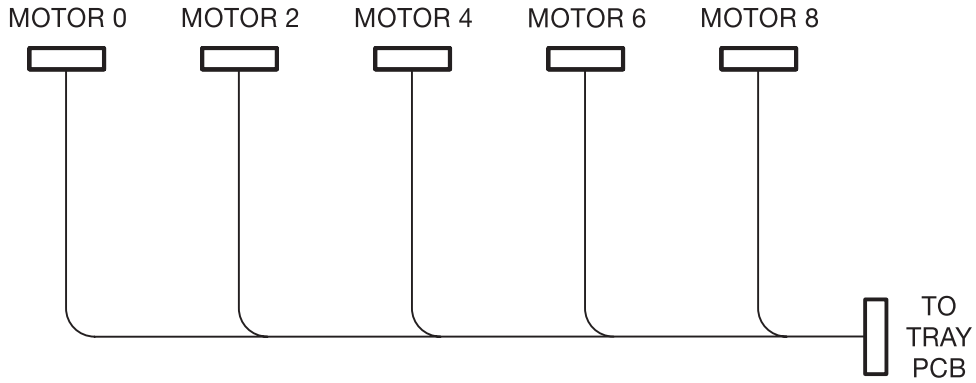


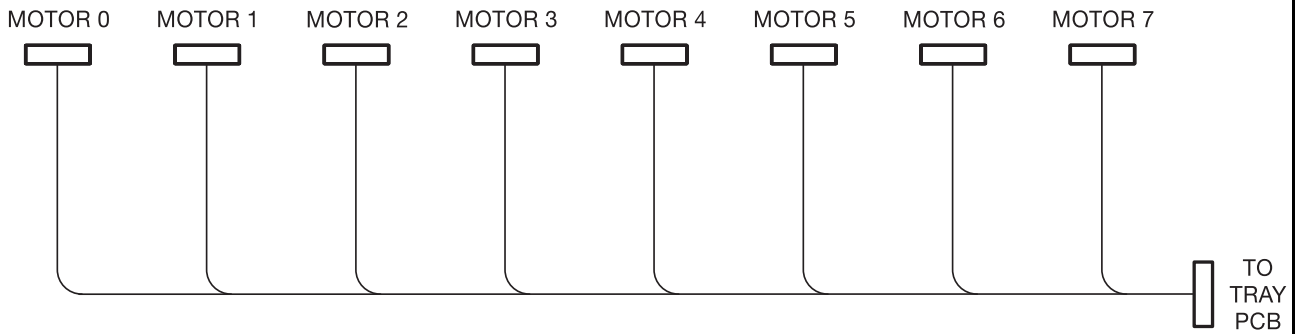
Figure 36. Wiring Harnesses (Part 2 of 7)

SnackVendor Model 172 - 173 Parts Manual

1709012 5 MOTOR TRAY HARNESS



1709013 8 MOTOR TRAY HARNESS



1709014 10 MOTOR TRAY HARNESS

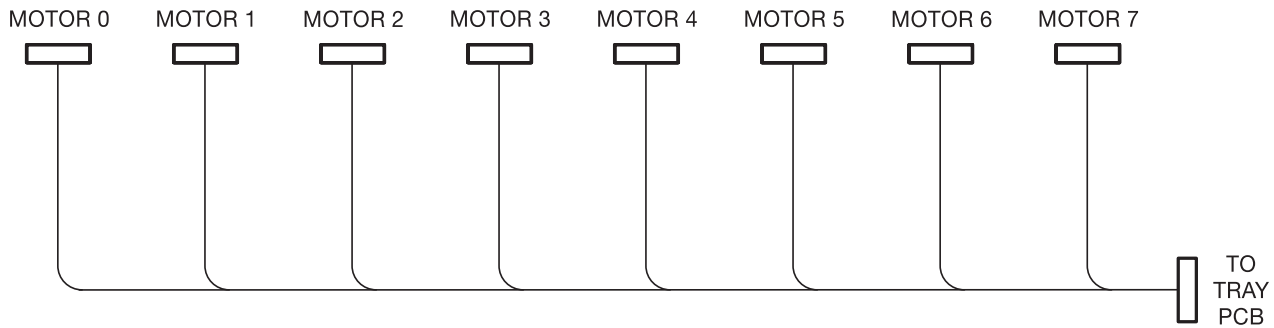


Figure 36. Wiring Harnesses (Part 3 of 7)

Snack Vendor Model 172 - 173 Parts Manual

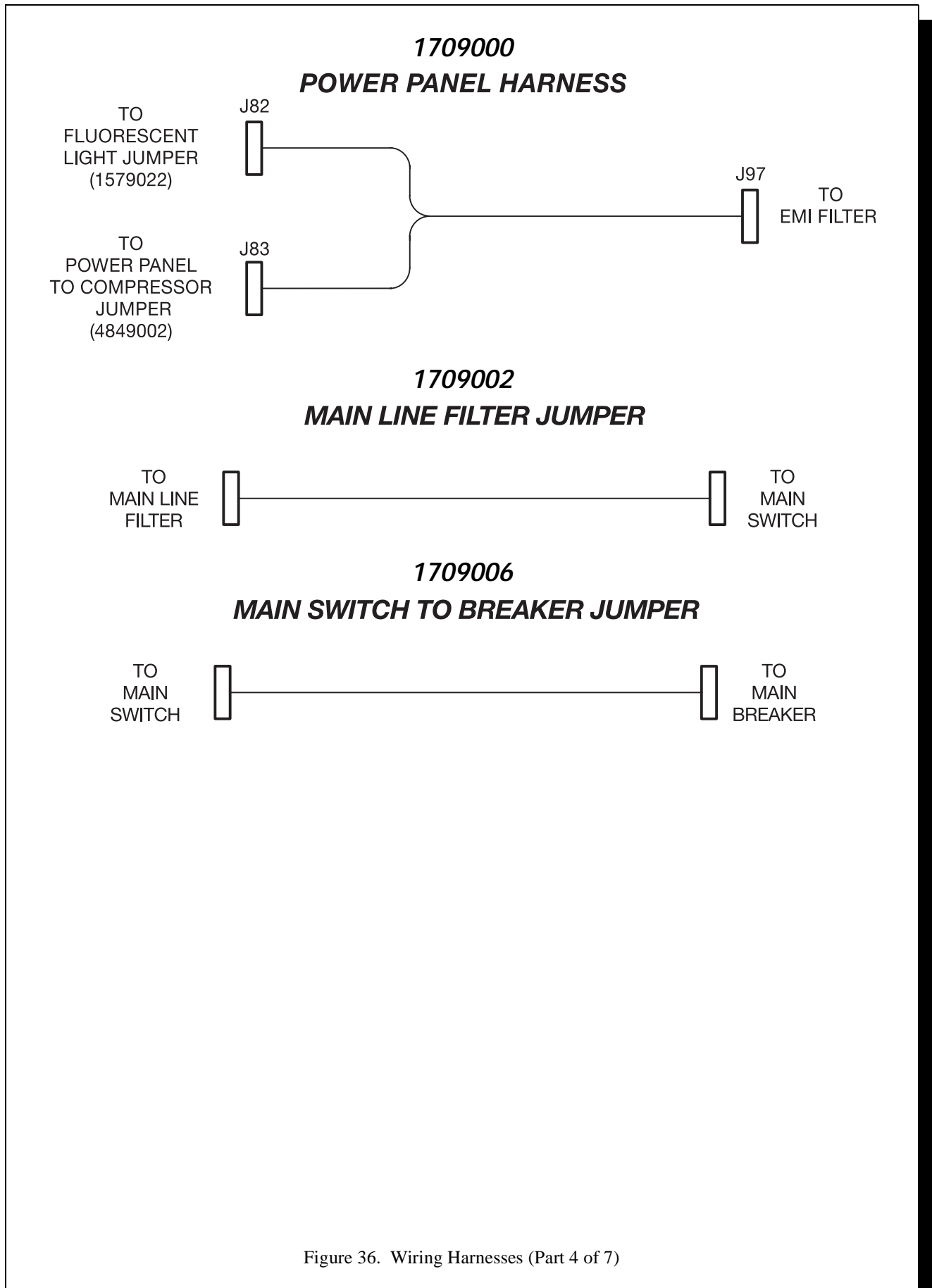


Figure 36. Wiring Harnesses (Part 4 of 7)

Snack Vendor Model 172 - 173 Parts Manual

1709001 120V XFMR PRIMARY JUMPER

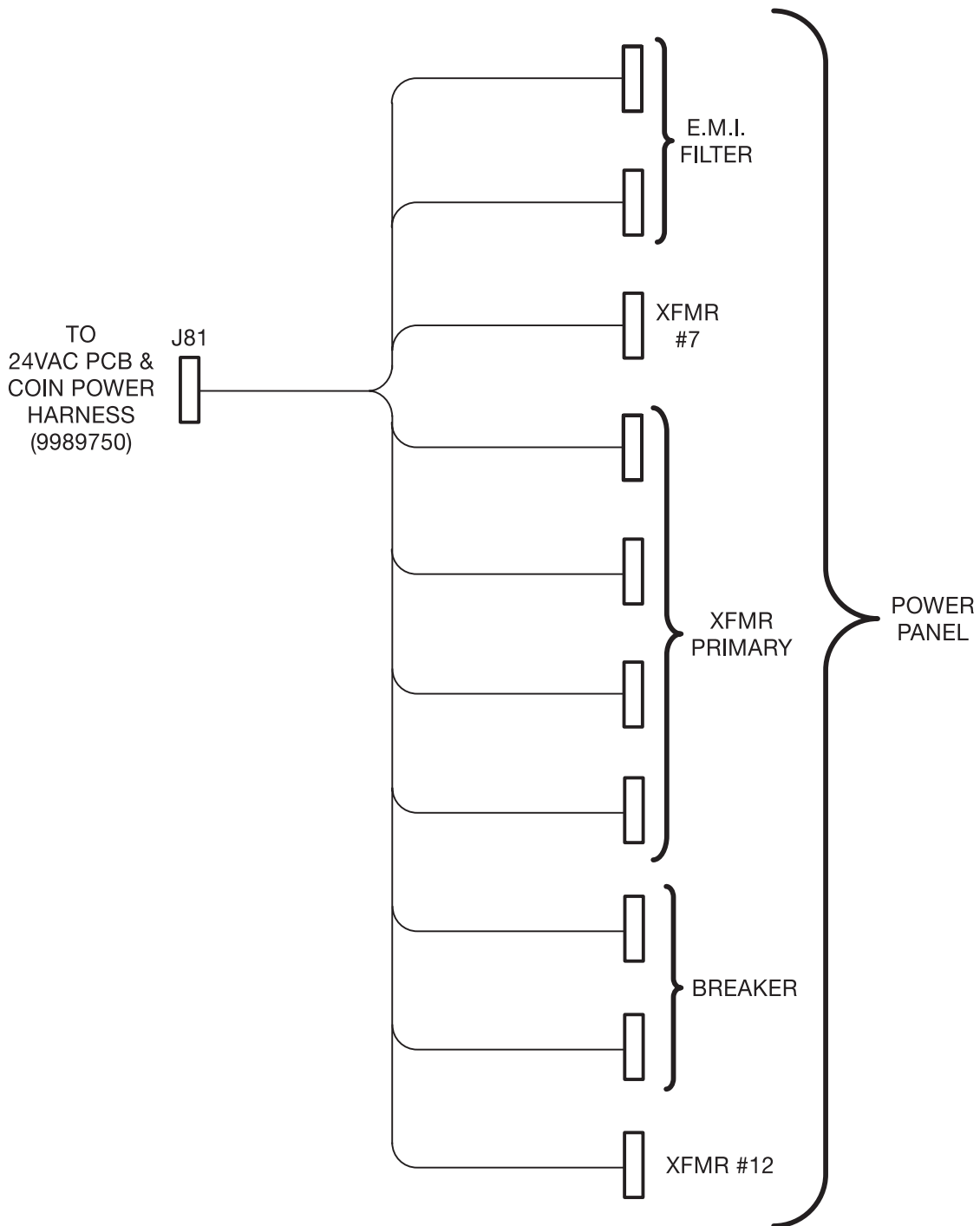


Figure 36. Wiring Harnesses (Part 5 of 7)

Snack Vendor Model 172 - 173 Parts Manual

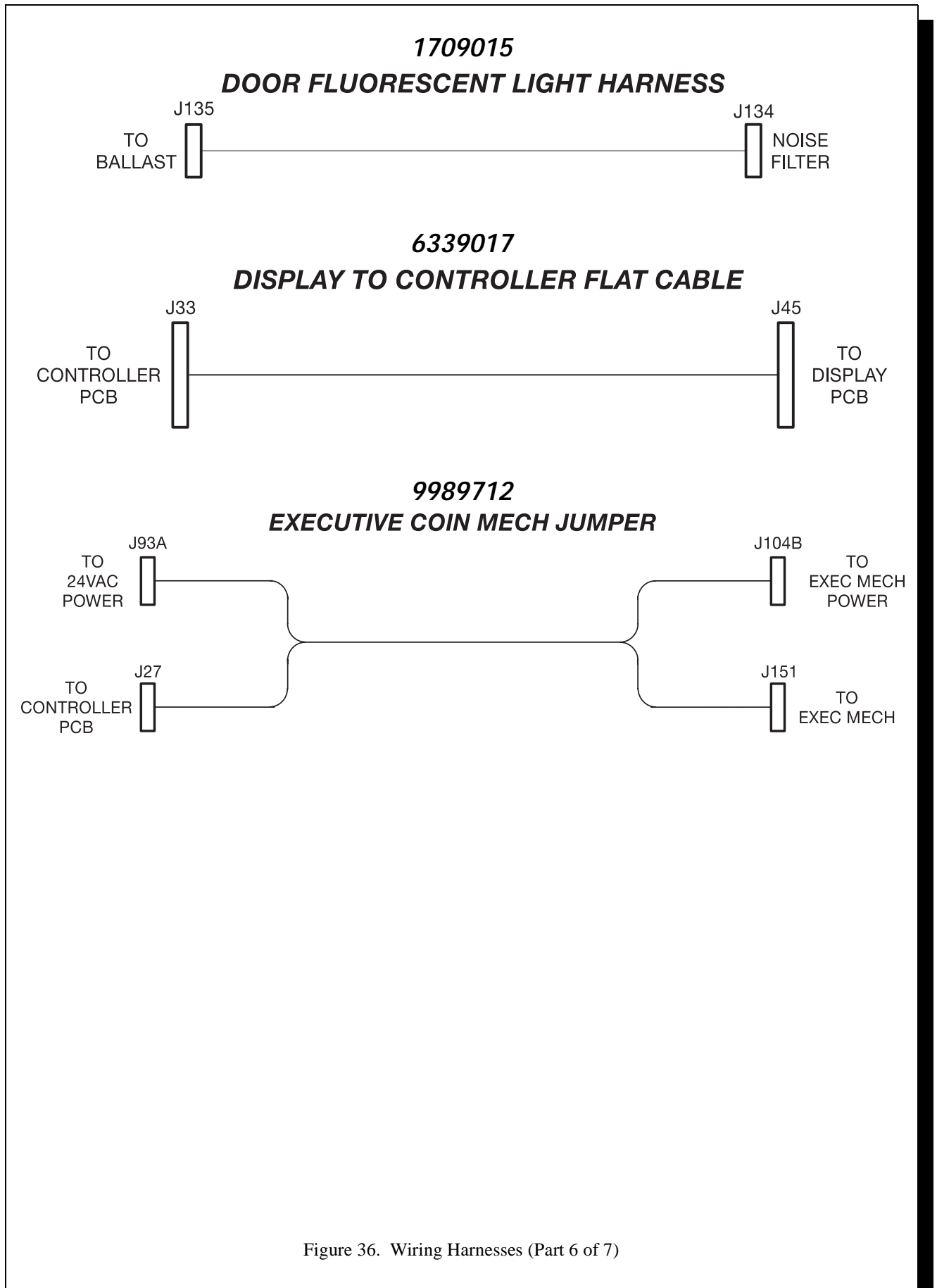


Figure 36. Wiring Harnesses (Part 6 of 7)

Snack Vendor Model 172 - 173 Parts Manual

9989750 24VAC PCB & COIN POWER HARNESS

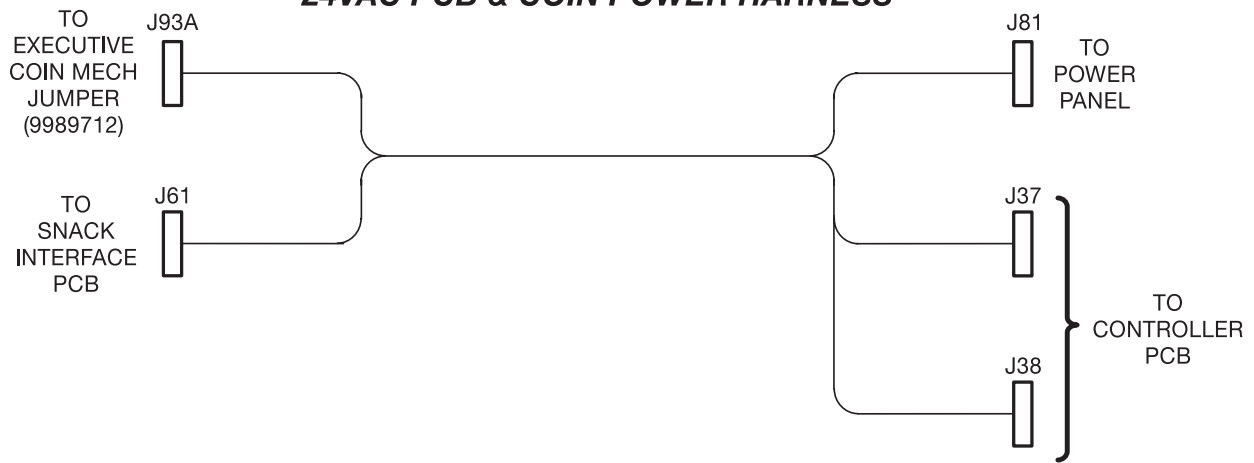


Figure 36. Wiring Harnesses (Part 7 of 7)